



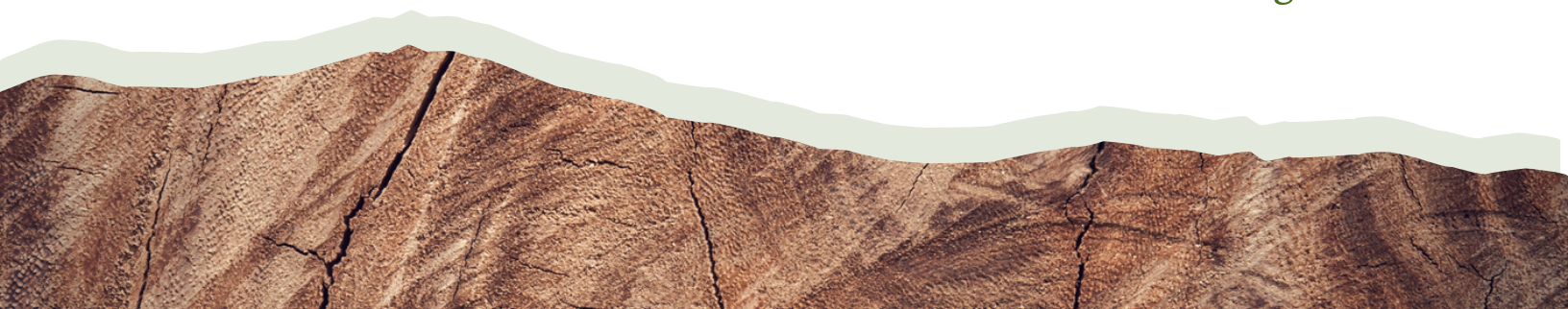
JONH moldings

High-end wood products



Moldings

Catalog 2024



Contents

Ogee moldings	pages 3-20
Soffit moldings.....	pages 21-22
Crown moldings.....	pages 23-24
Wayne scottings.....	pages 25-36
Light valance.....	pages 37-38
Deco moldings.....	pages 39-46
Base boards and casings.....	pages 47-61

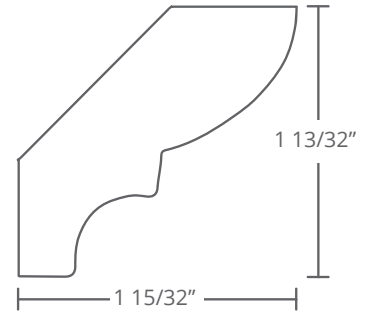
Moldings are available in the following species:

Maple, maple paint, birch, birch paint, red birch, cherry, red oak, red oak R/Q, white oak, white oak R/Q, white oak rift, poplar, walnut, knotty pine, clear pine, alder, alder rustic, sapelli, ash, hickory.

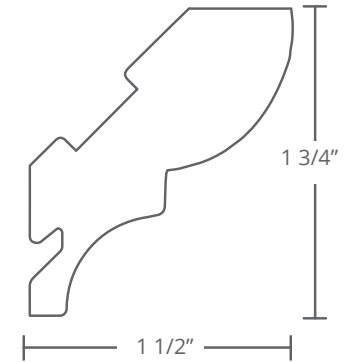
Ogee moldings



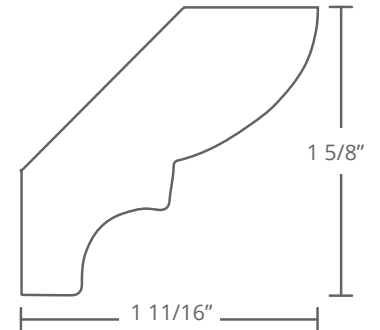
#001
3/4" x 2"



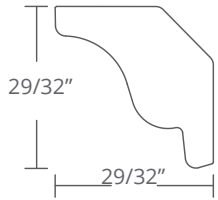
#580
0.748" x 2.317"



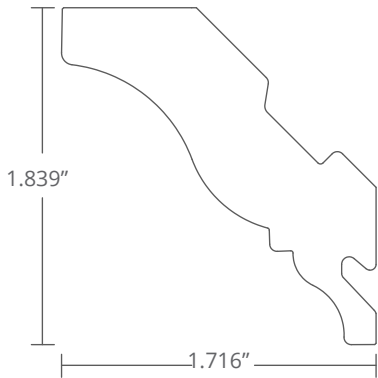
#002
3/4" x 2.360"



Ogee moldings

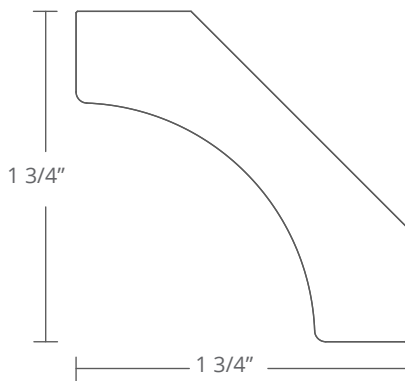


#074
0.510" x 1 1/4"



Ogee
Holder

#324
3/4" x 2 1/2"



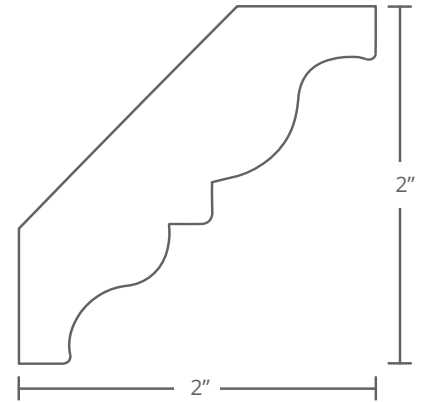
#030
3/4" x 2.465"



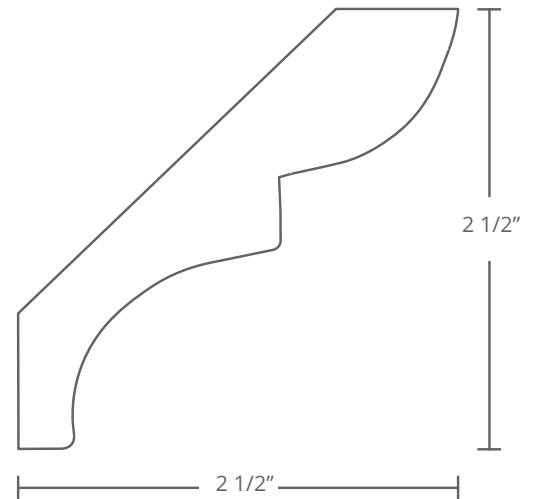
Ogee moldings



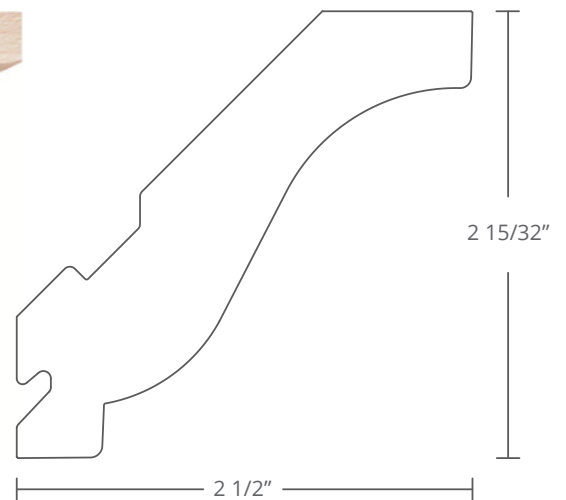
#015
3/4" x 2.865"



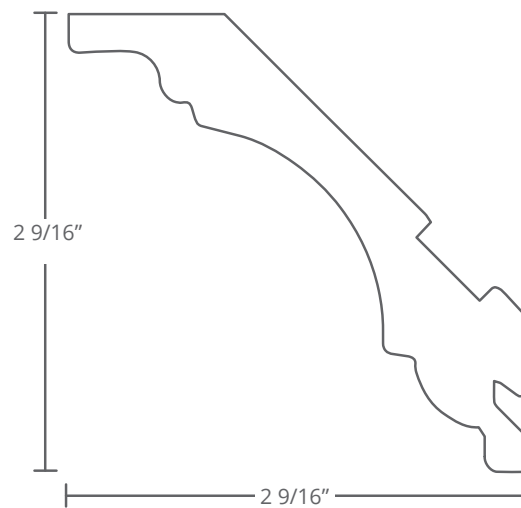
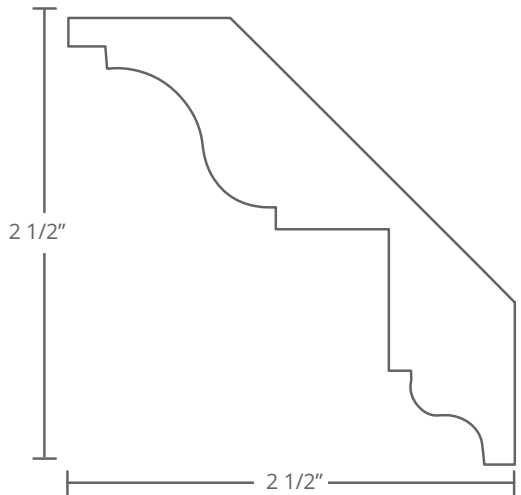
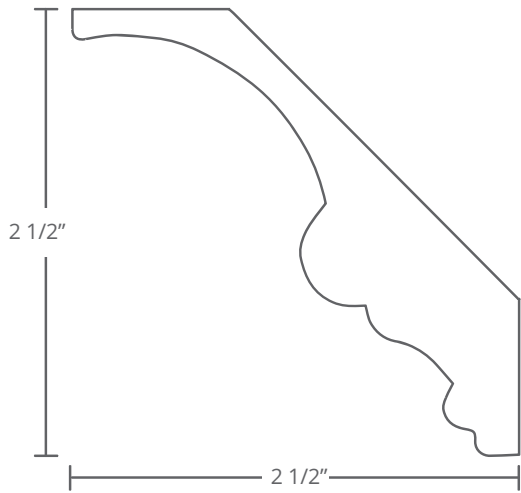
#009
3/4" x 3 1/2"



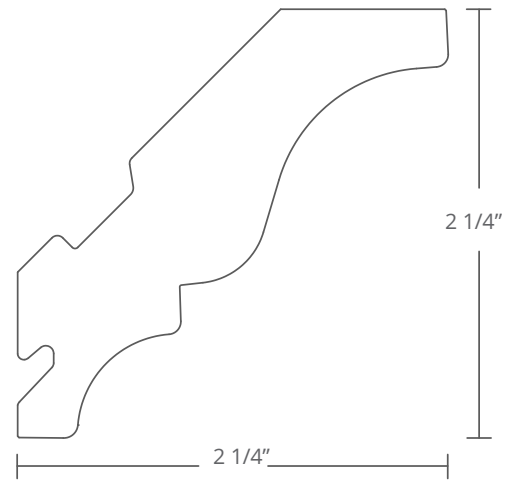
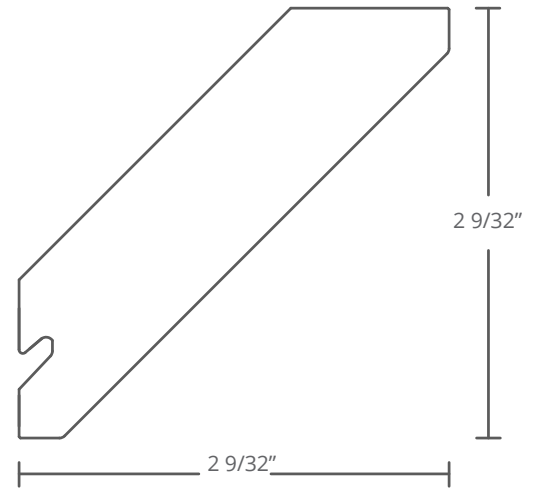
#005
0.85" x 3 1/2"



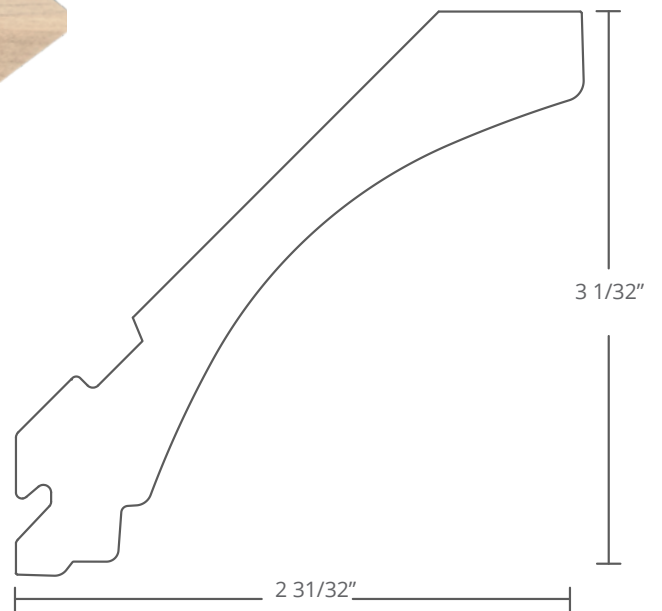
Ogee moldings



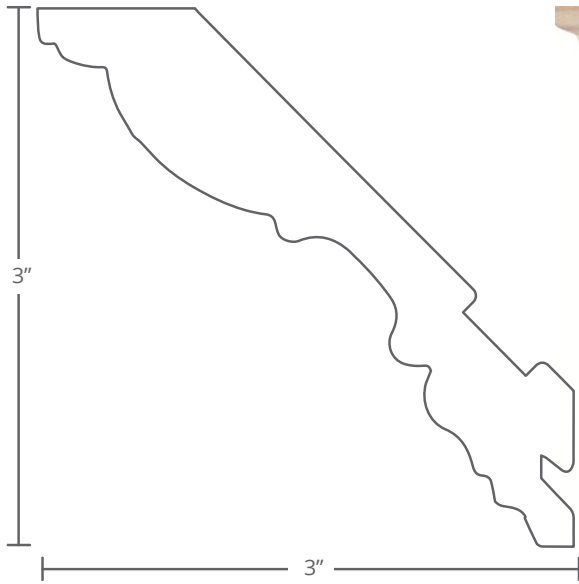
Ogee moldings



New



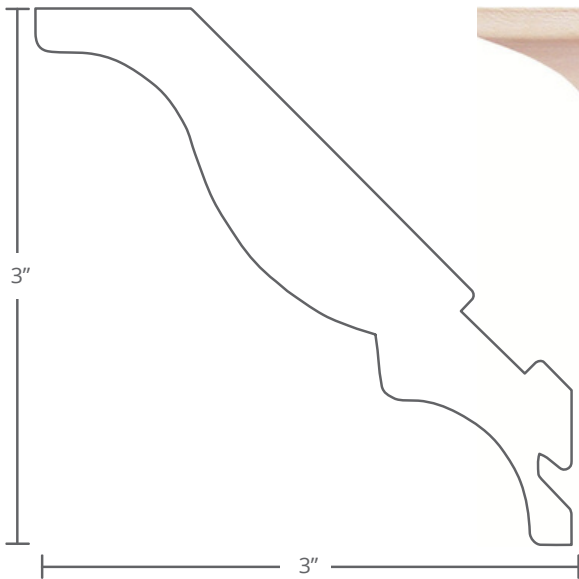
Ogee moldings



 Ogee
Holder

#090

3/4" x 4 1/4"



 Ogee
Holder

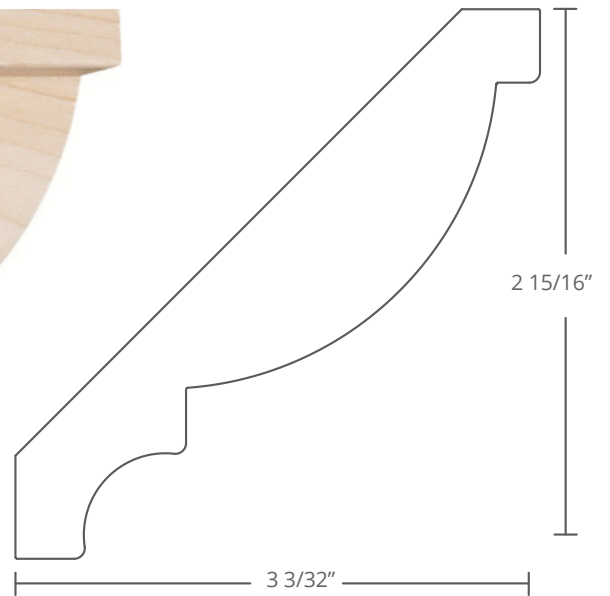
#006


3/4" x 4 1/4"

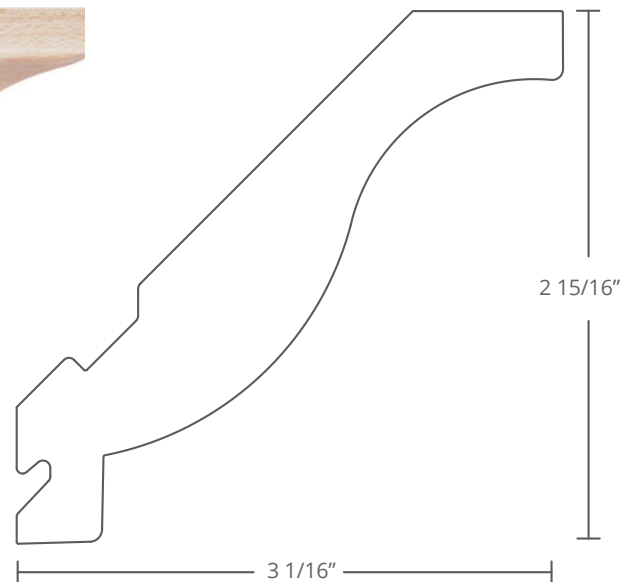
Ogee moldings



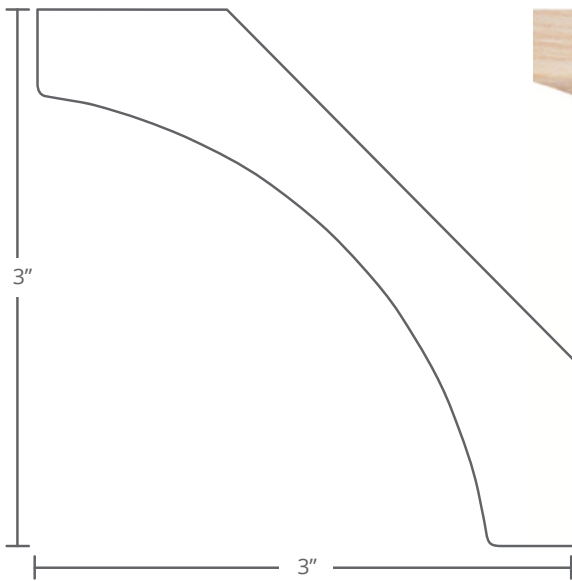
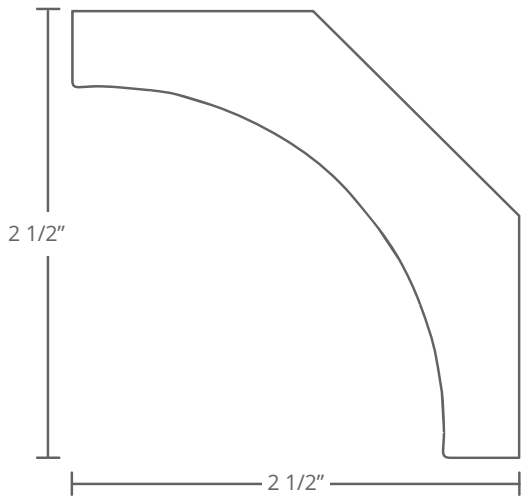
#124
0.870" x 4 1/4"



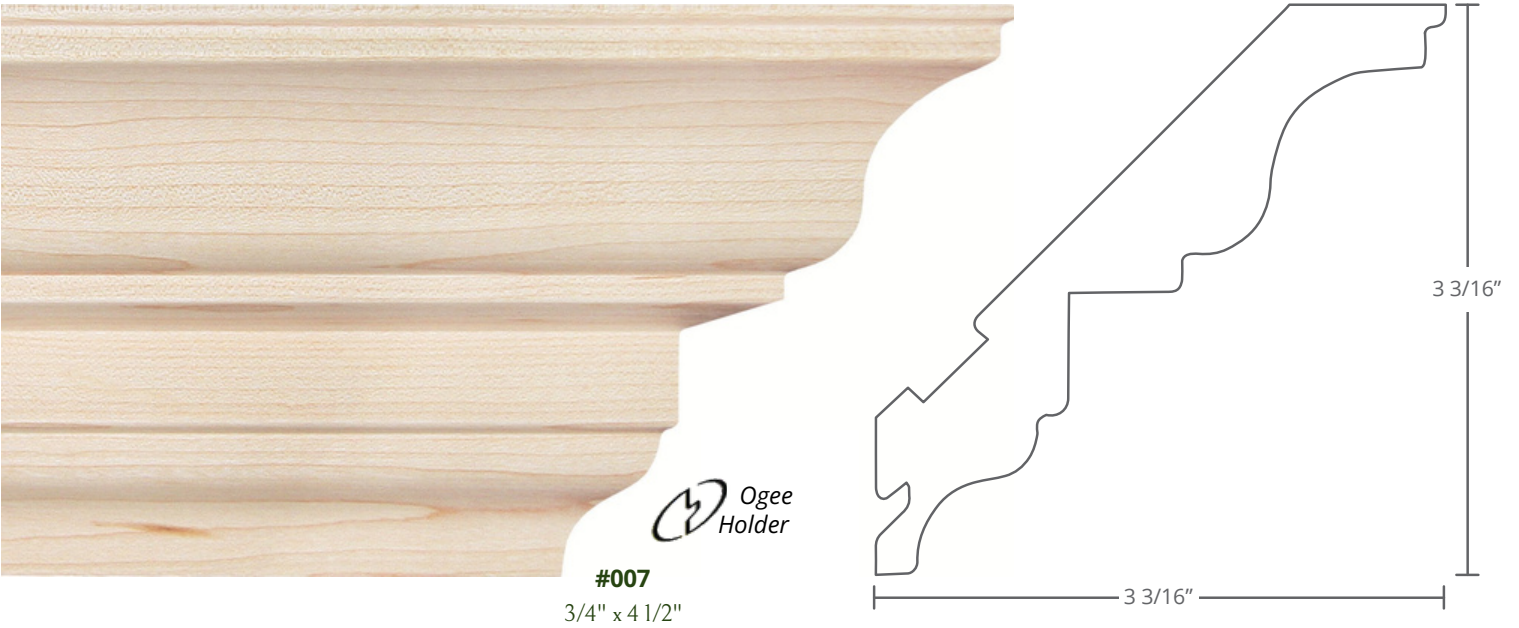
 **Ogee Holder**
#081
0.850" x 4 1/4"



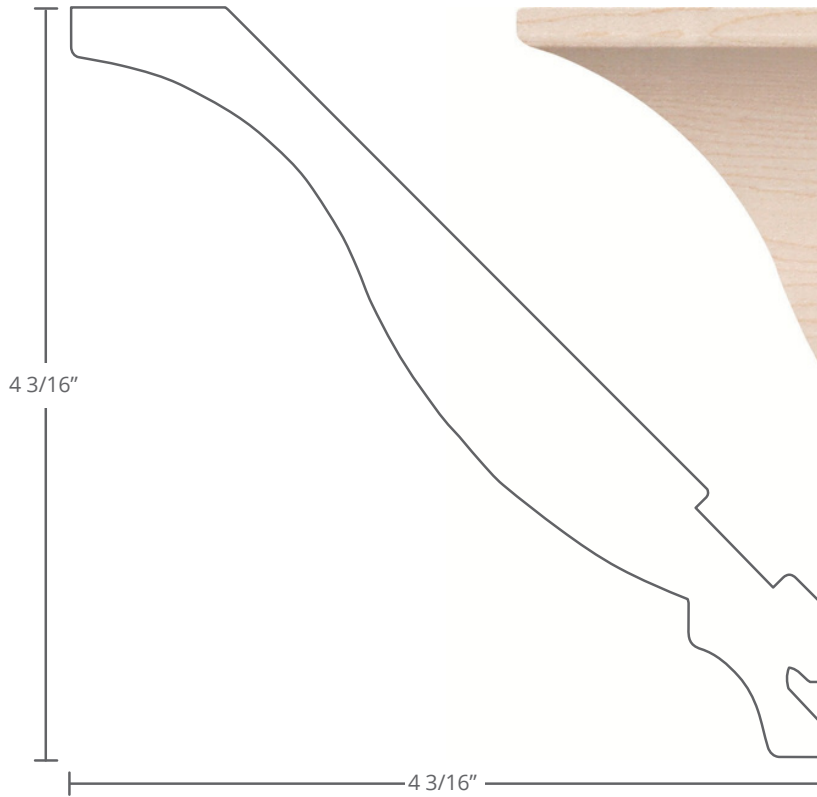
Ogee moldings



Ogee moldings

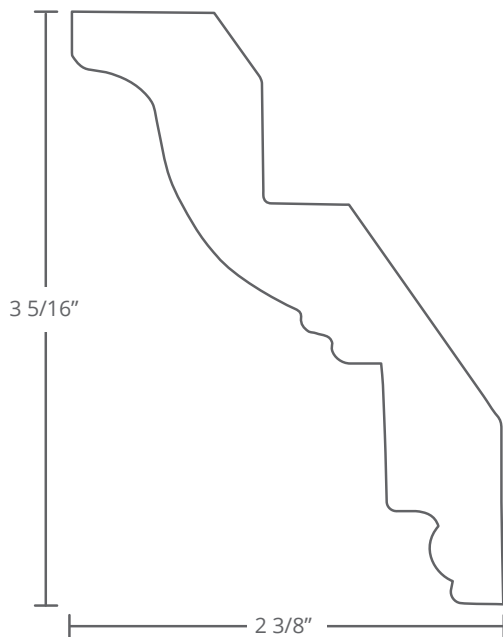


Ogee moldings



 Ogee
Holder

#961
0.791" x 5.957"



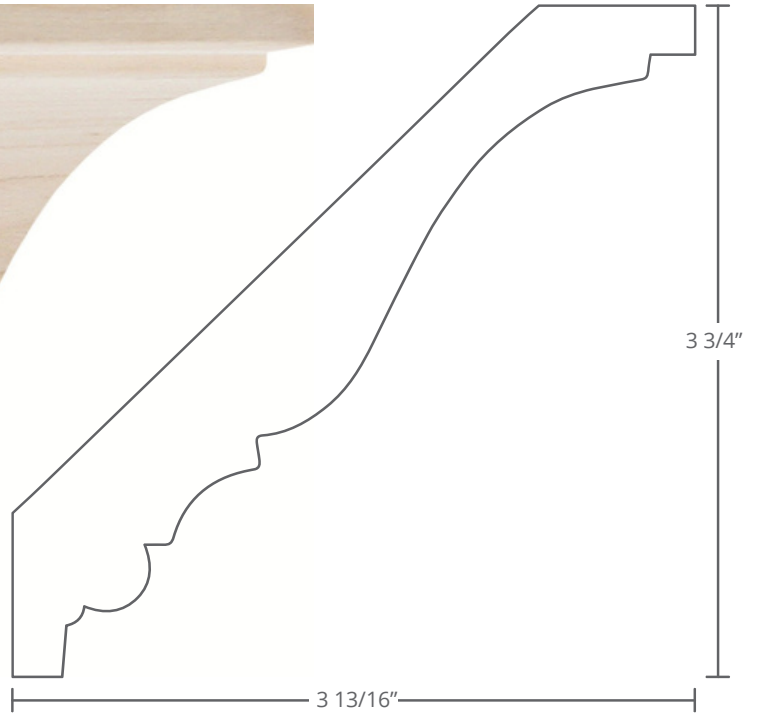
#103
0.77" x 4.040"



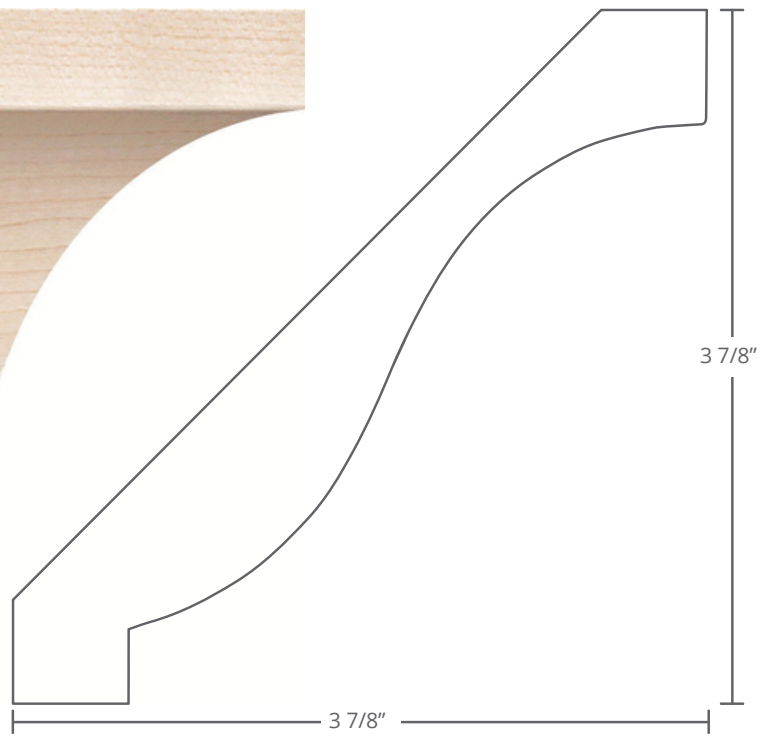
Ogee moldings



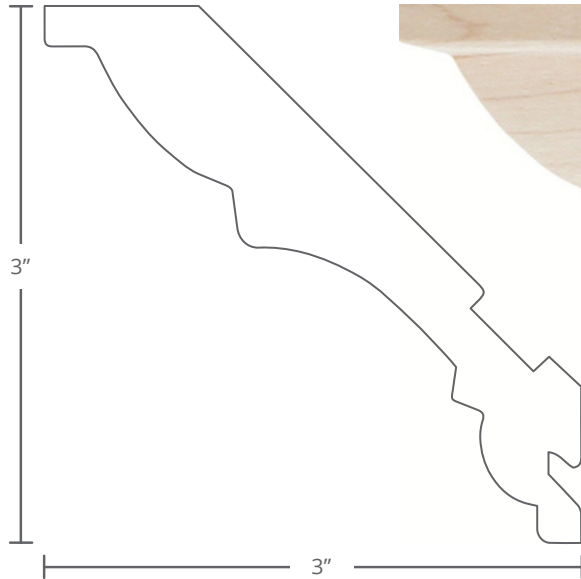
#510
13/16" x 5 3/8"



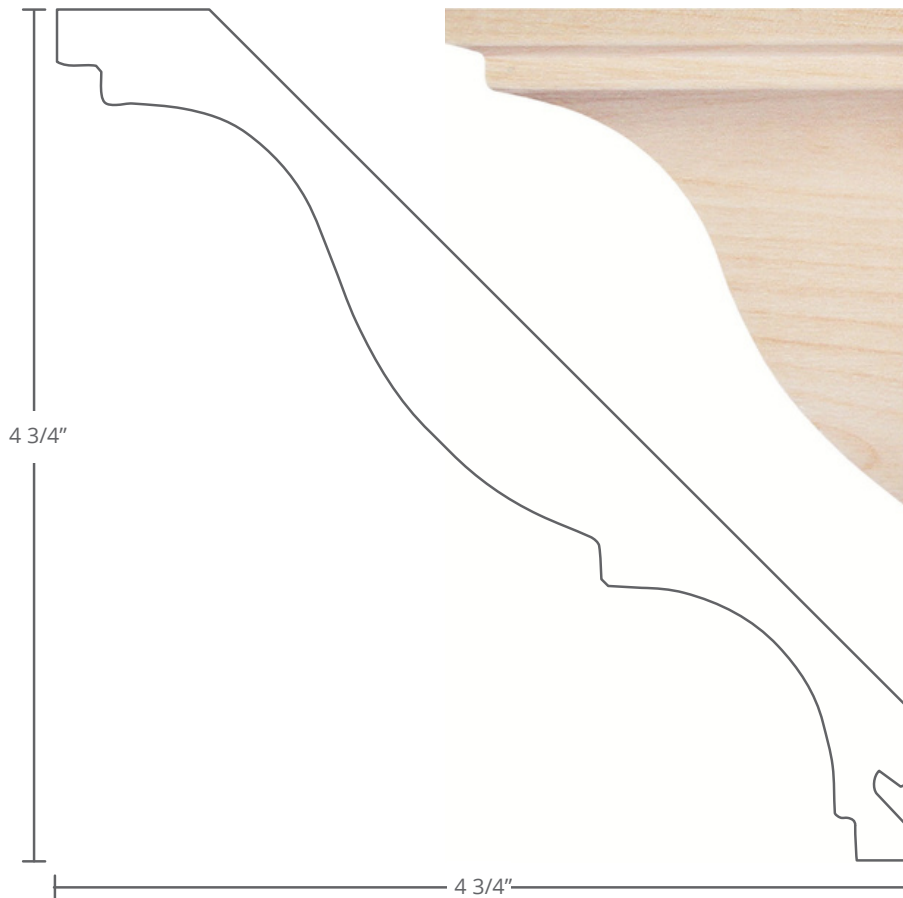
#142
0.870" x 5 1/2"



Ogee moldings



#627
3/4" x 4 1/4"



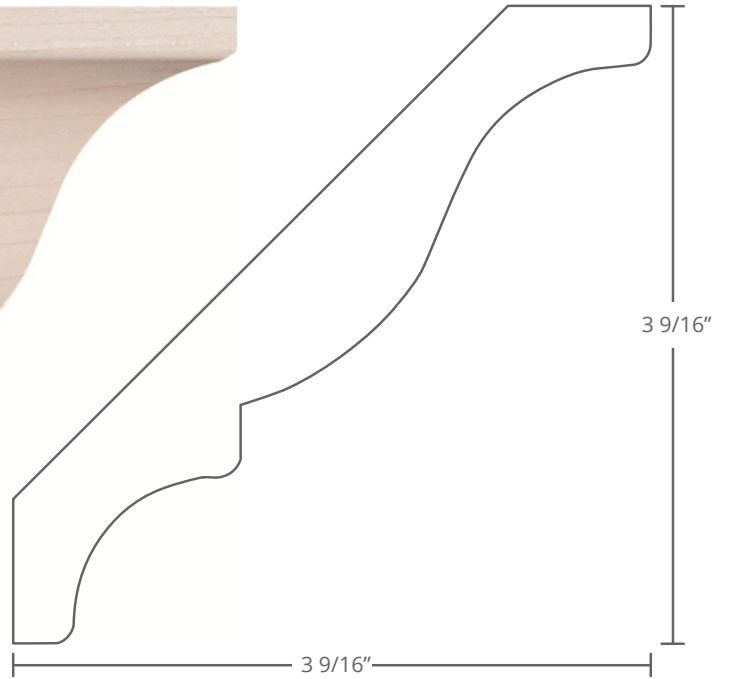
#119
0.835" x 6.800"



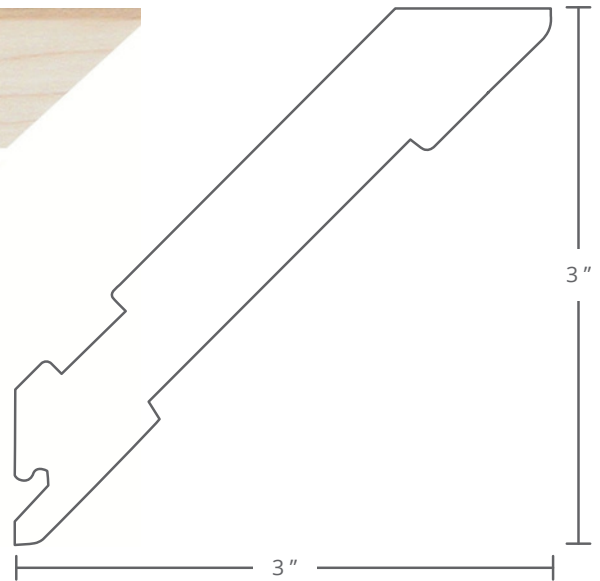
Ogee moldings



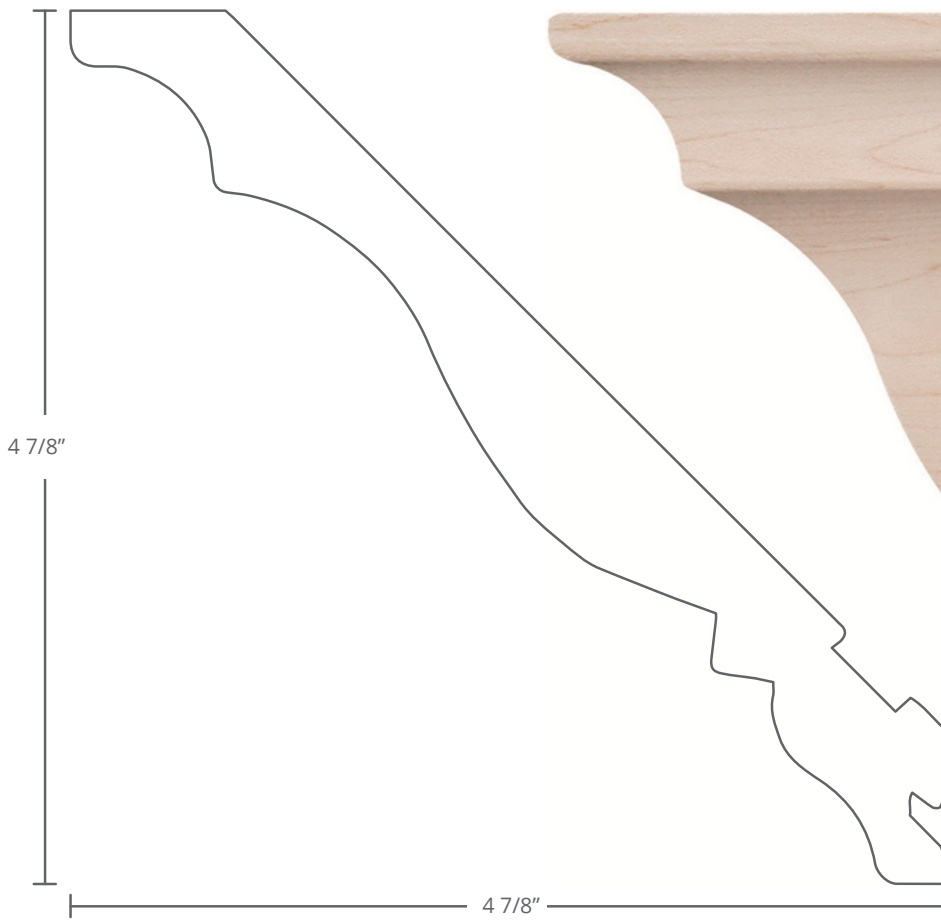
#564
3/4" x 5"



#750
0.702" x 4 1/4"



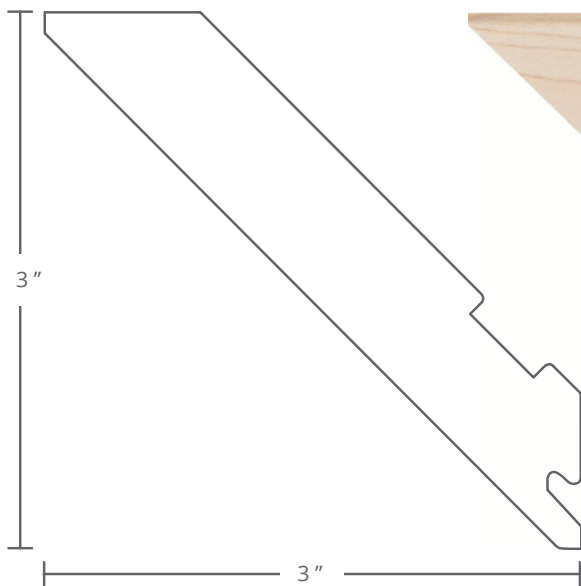
Ogee moldings



 Ogee
Holder

#551

0.822" x 6 7/8"




 Ogee
Holder

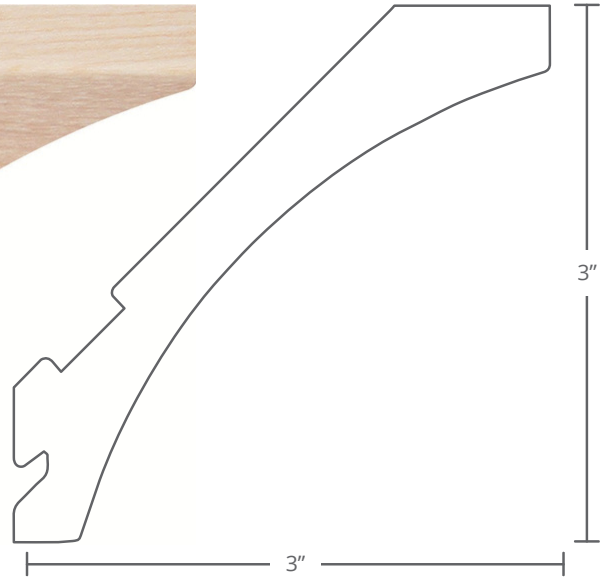
#752

0.702" x 4 1/4"

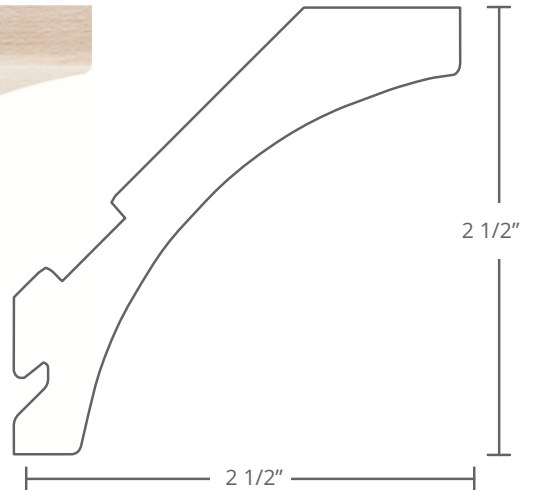
Ogee moldings



 Ogee Holder
#970
0.860" x 4 1/4"



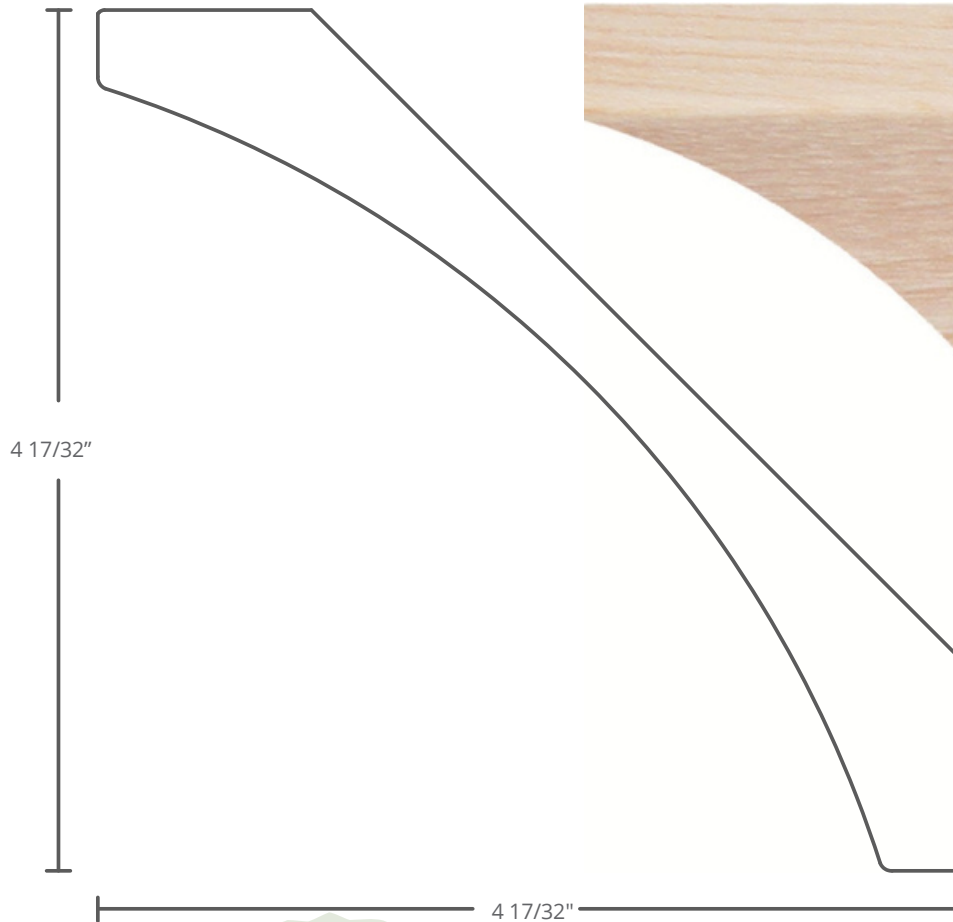
 Ogee Holder
#969
0.856" x 3 1/2"



Ogee moldings



#1370
13/16" x 5 3/16"



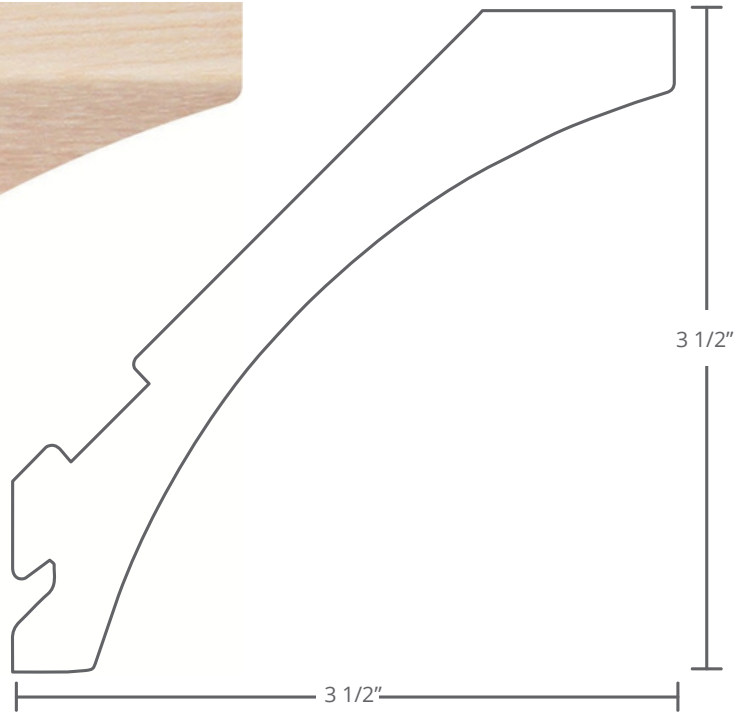
#1074
1 1/16" x 6 3/8"

Ogee moldings

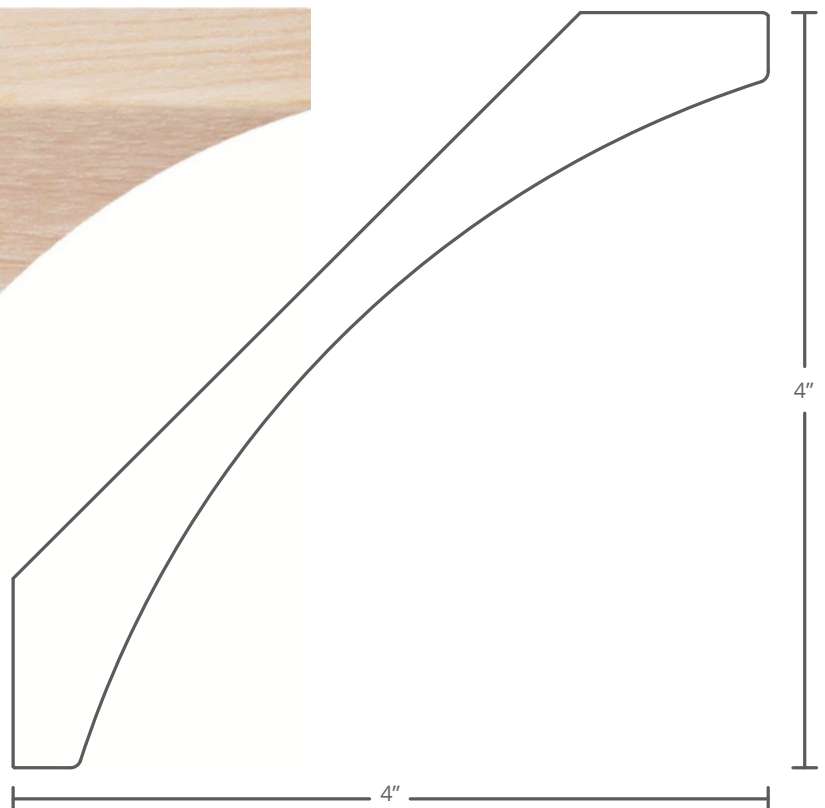


 Ogee
Holder

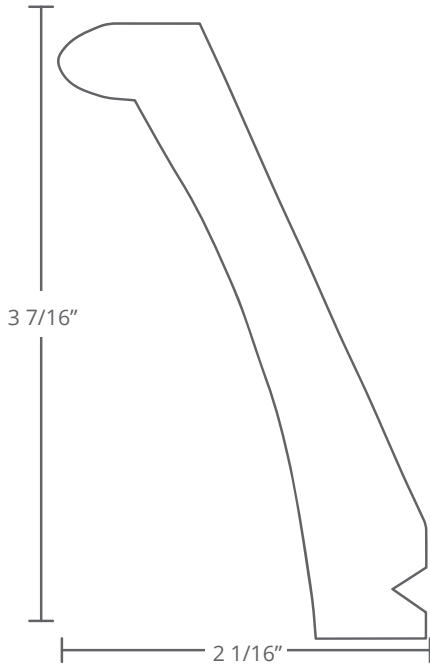
#1105
0.850" x 4.95"



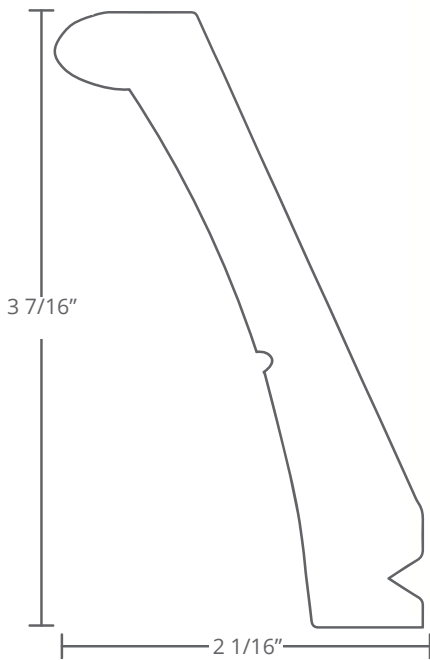
#1685
1 1/16" x 5 5/8"



Ogee moldings

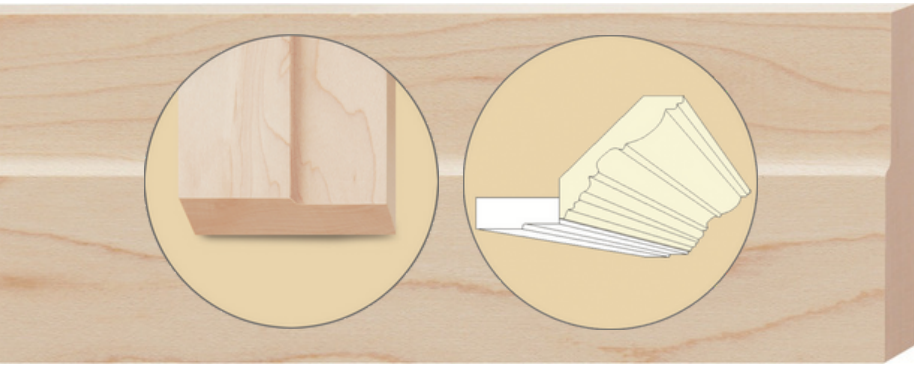


#1306
 $1 \frac{3}{16}$ " x $3 \frac{7}{8}$ " Add molding #1308 to obtain a crown molding.

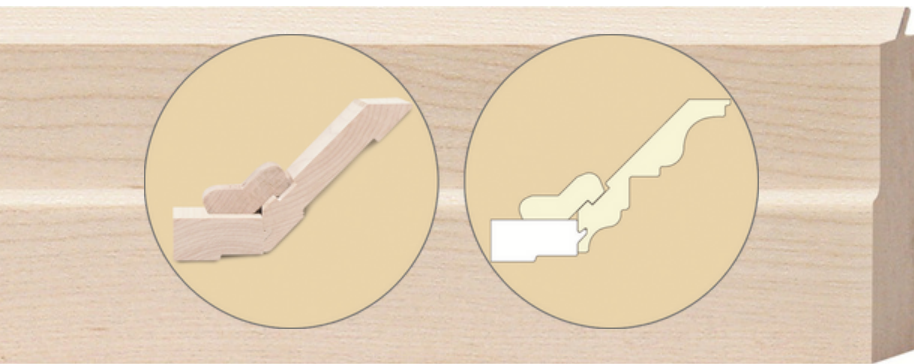
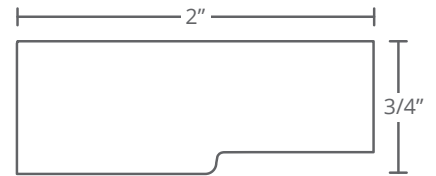


#1307
 $1 \frac{3}{16}$ " x $3 \frac{7}{8}$ " Add molding #1308 to obtain a crown molding.

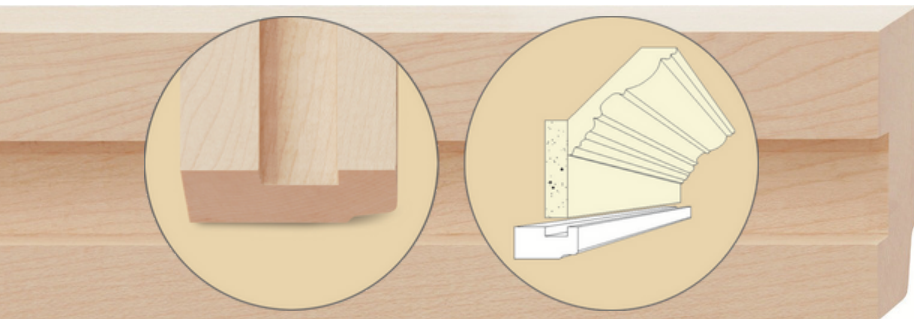
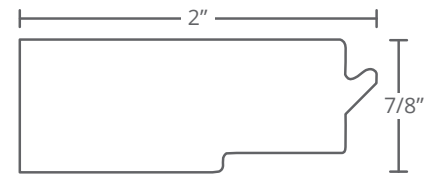
Soffit moldings



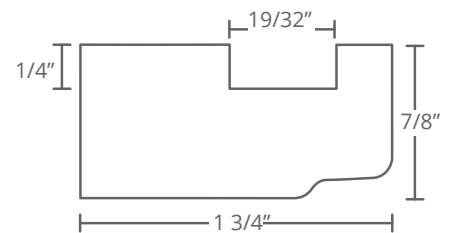
#154
3/4" x 2"



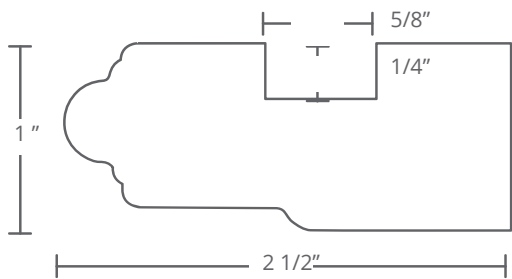
#719
0.870" x 2"
Ogee Holder



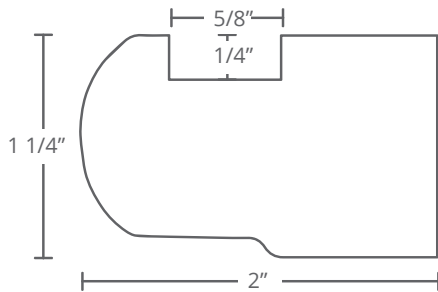
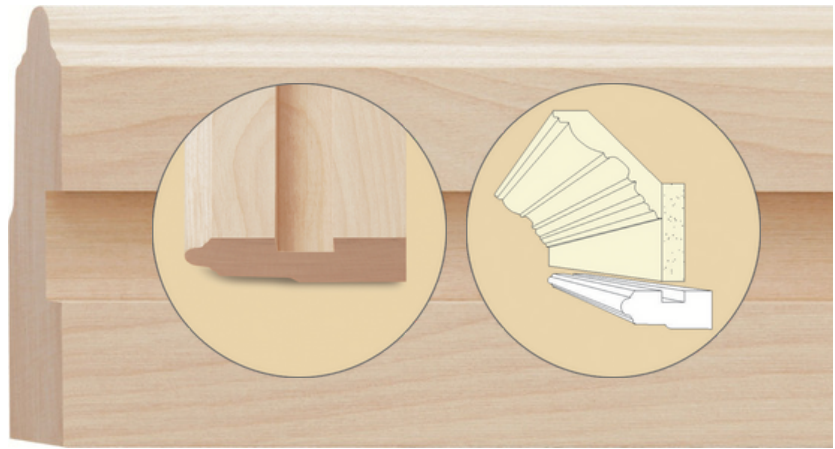
#296
7/8" x 1 3/4"



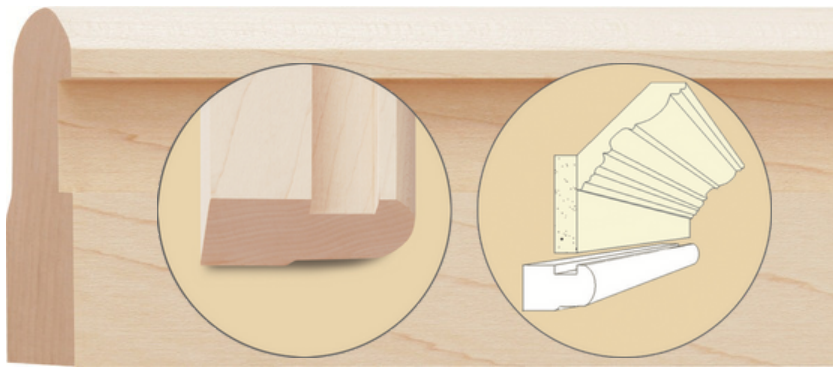
Soffit moldings



#023
1" x 2 1/2"



#294
1 1/4" x 2 1/2"



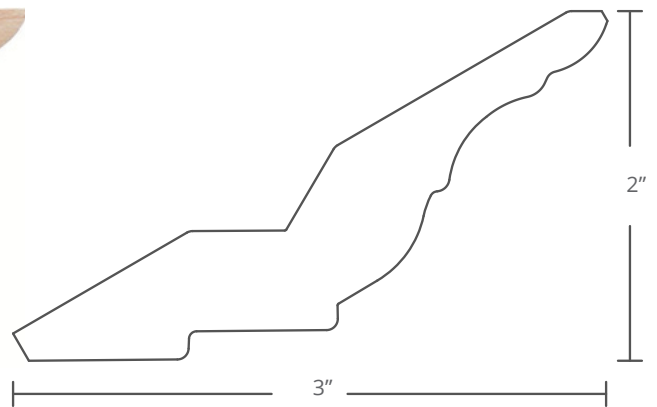
Crown moldings



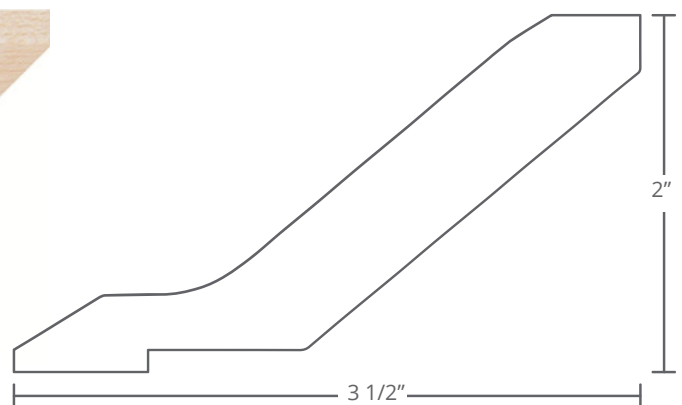
#064
13/16" x 4"



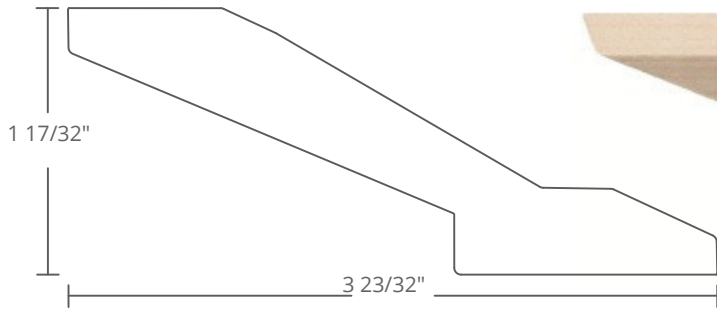
#153
13/16" x 3 1/2"



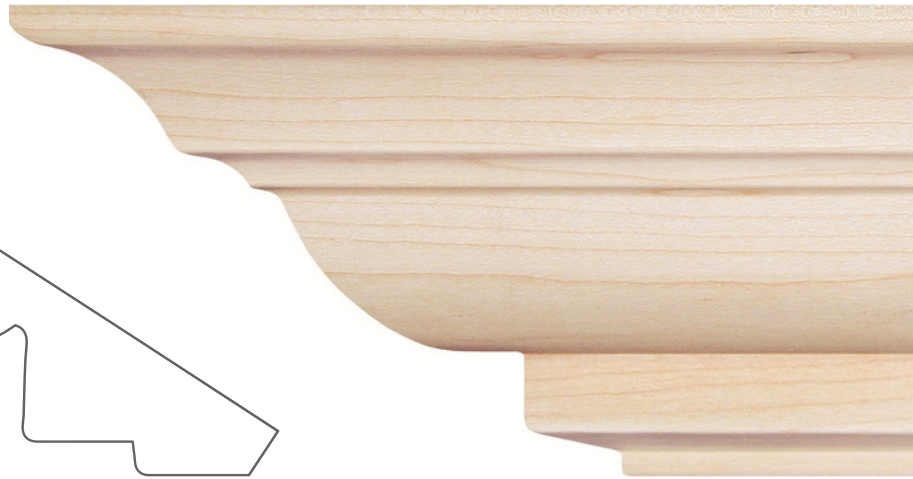
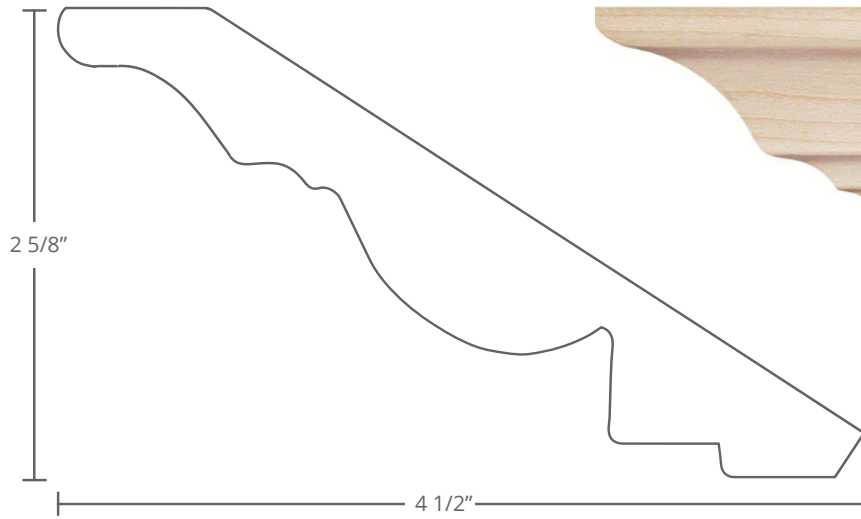
#338
0.870" x 4"



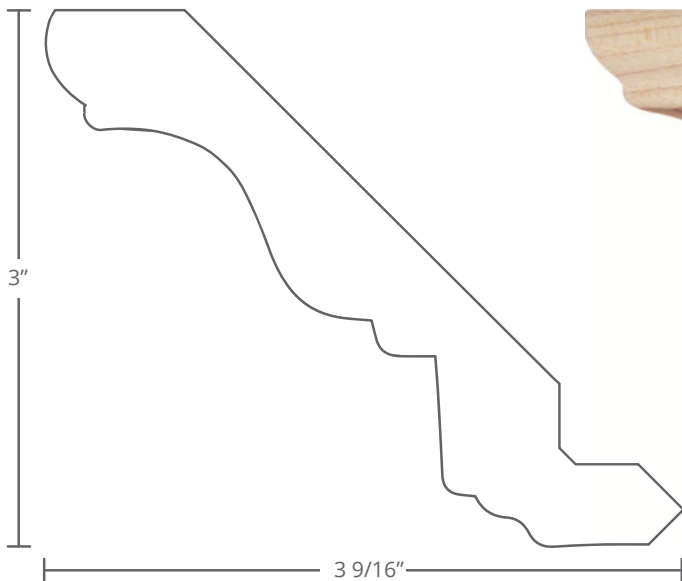
Crown moldings



#1305
13/16" x 4"



#091
13/16" x 5"



#089
13/16" x 4 1/2"

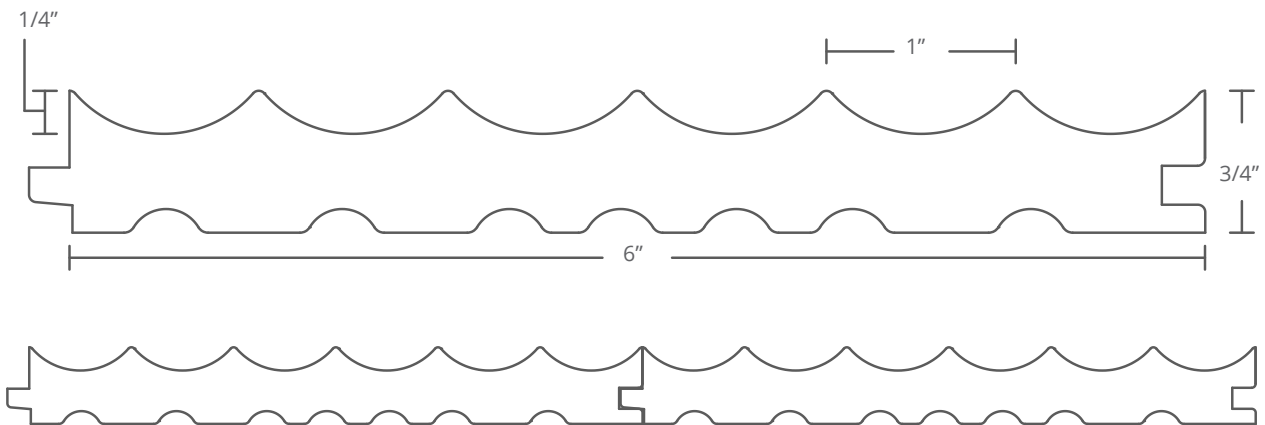
Wayne scottings

New

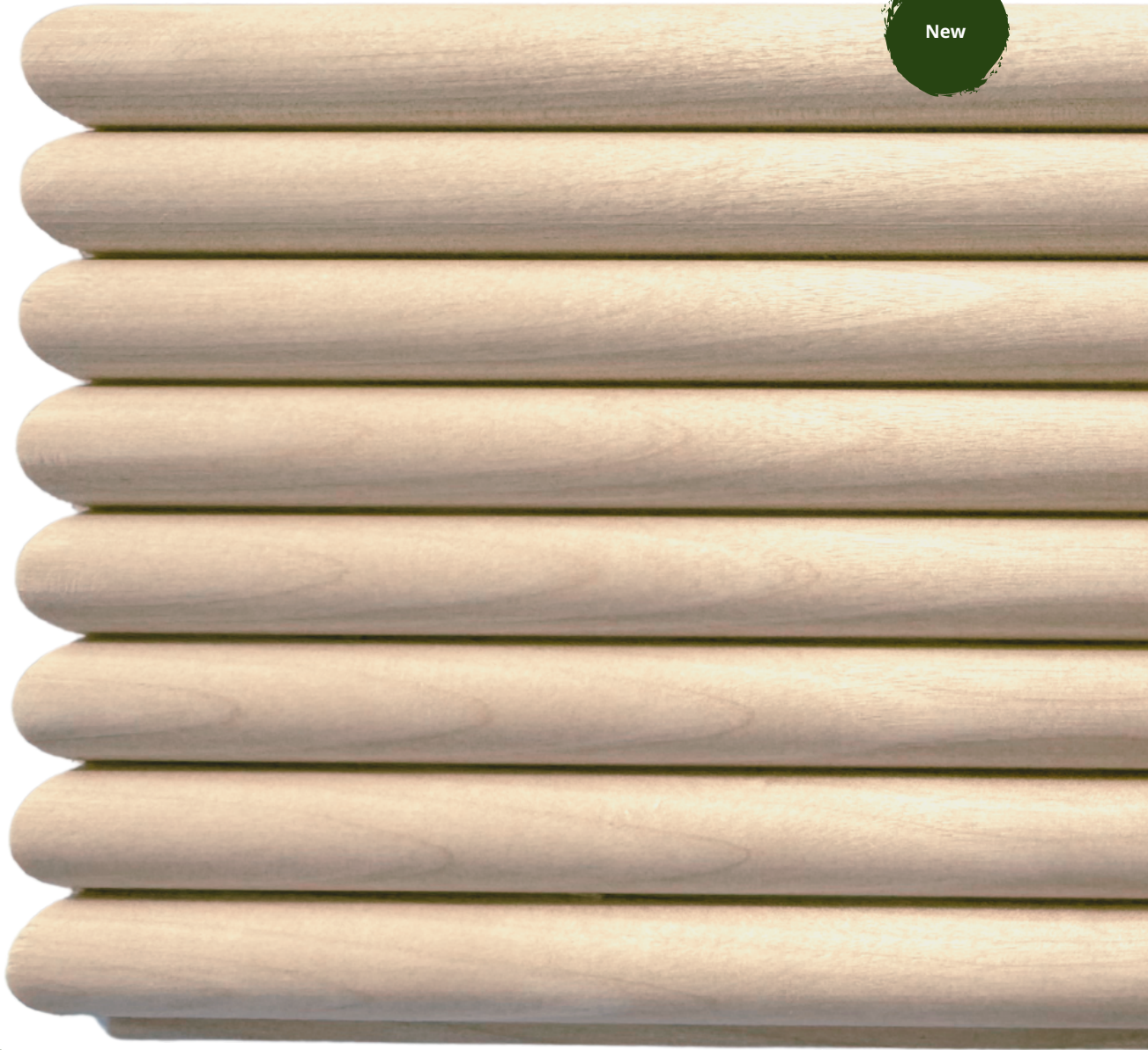


#1716

3/4" x 6"

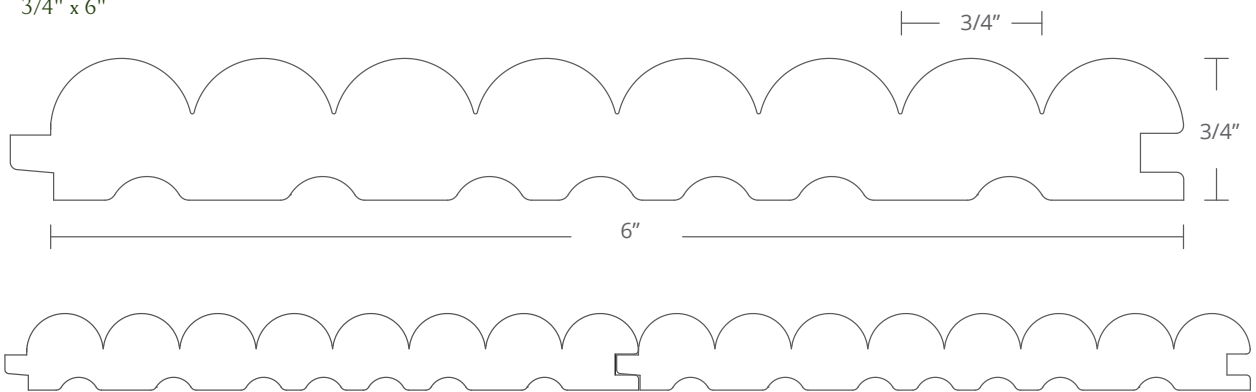


Wayne scottings



#1717

3/4" x 6"



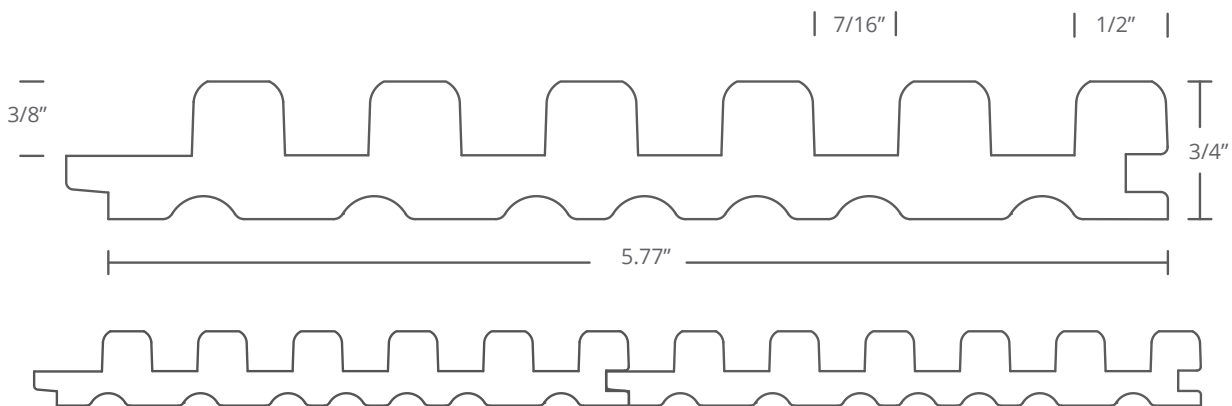
Wayne scottings

New



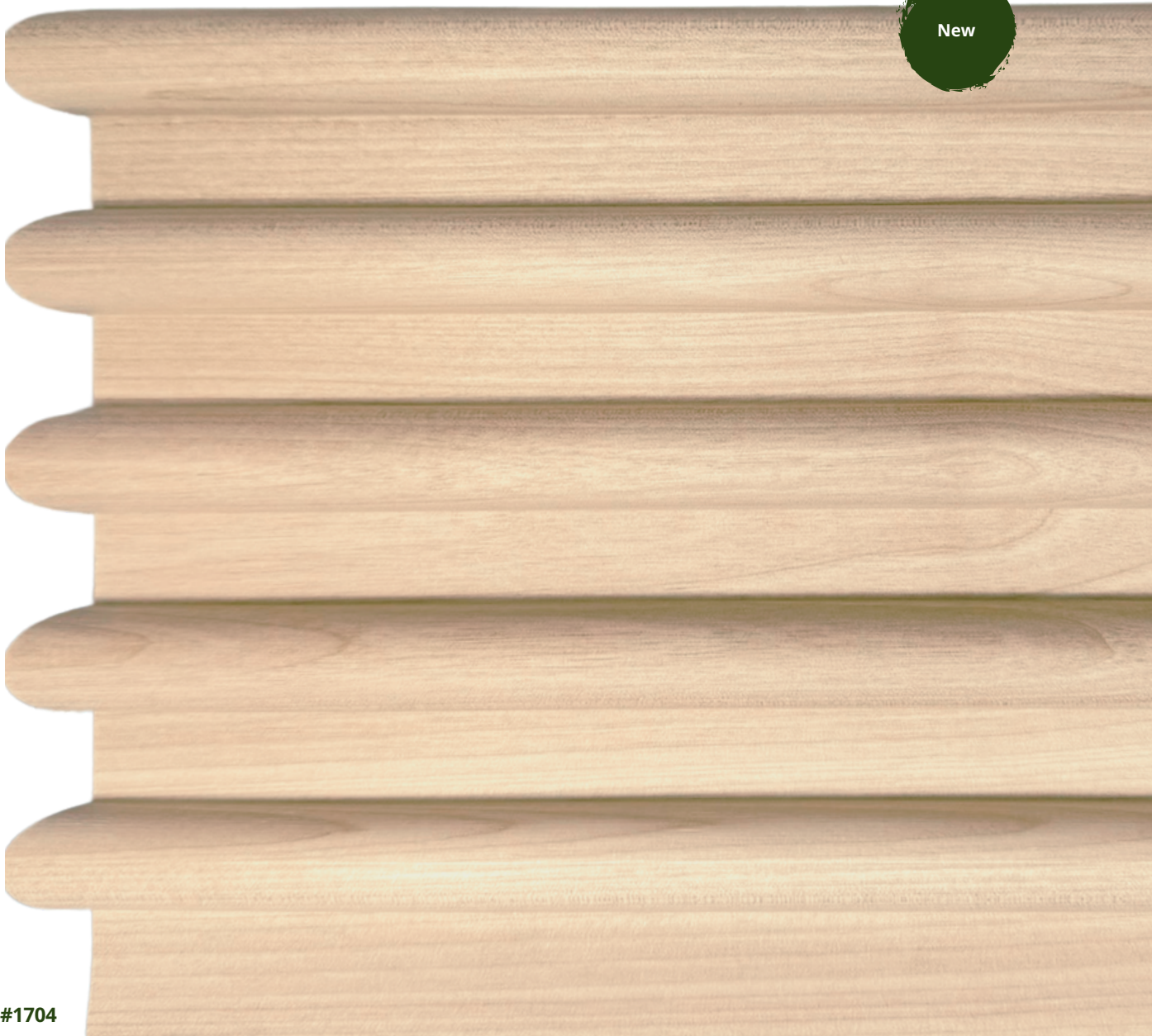
#1703

3/4" x 5.77"



Wayne scottings

New

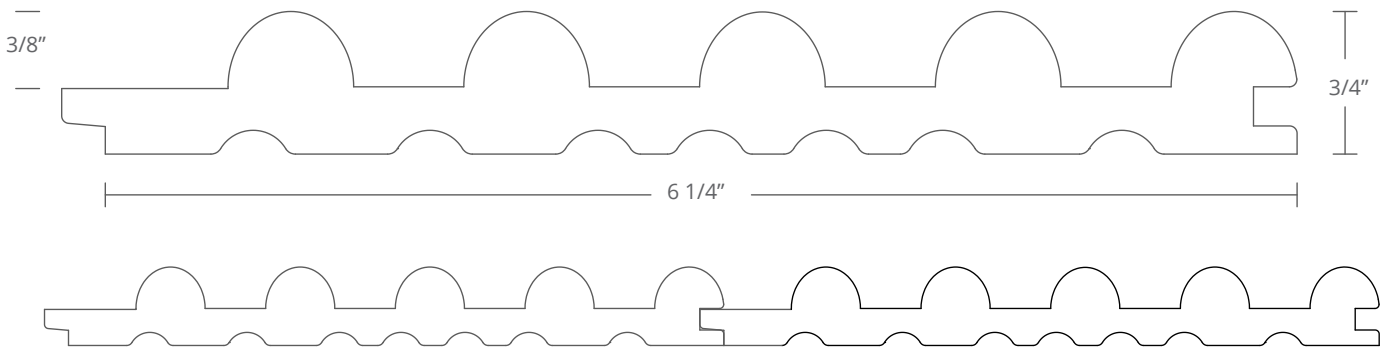


#1704

3/4" x 6 1/4"

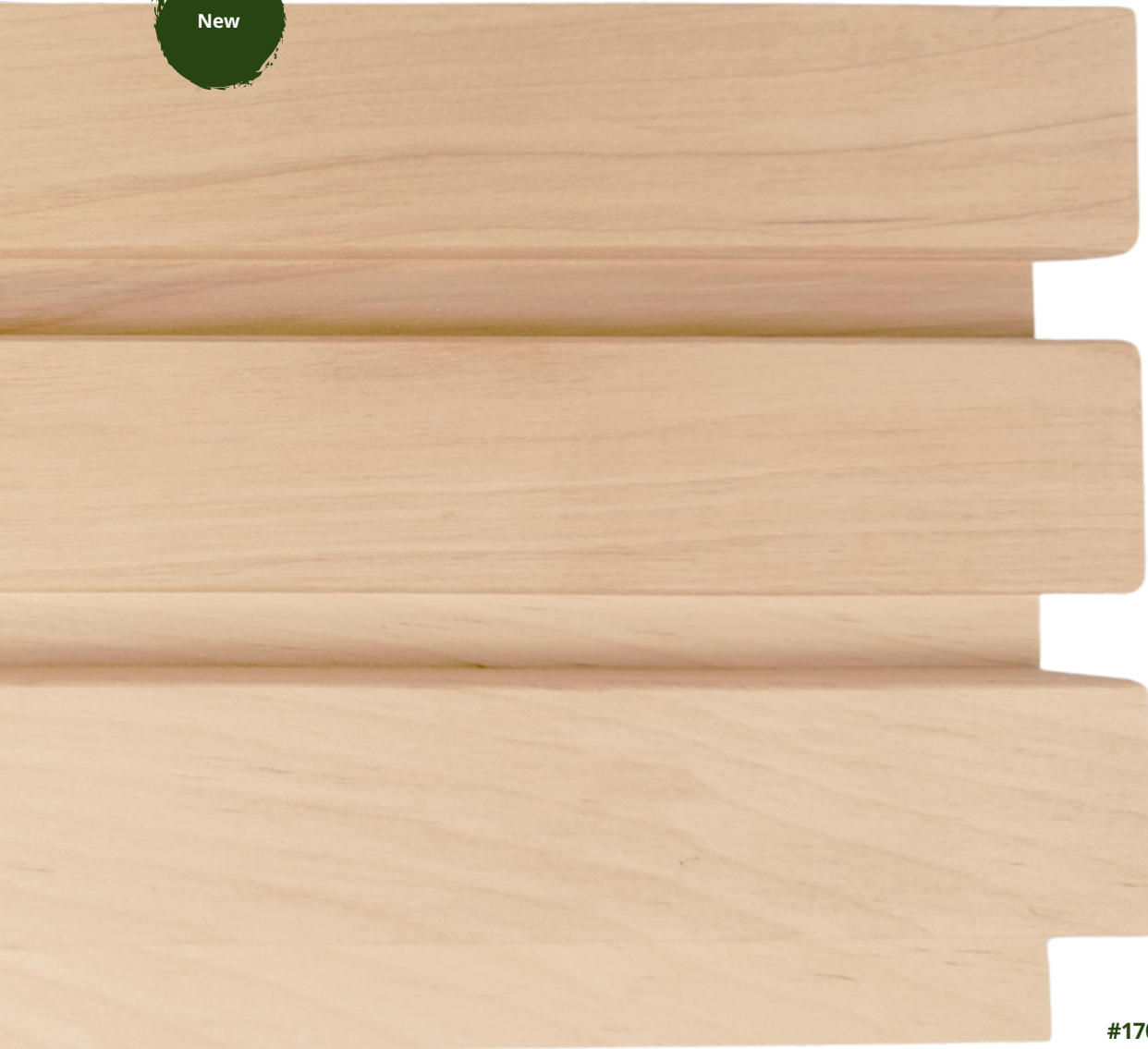
| 9/16" |

| 21/32" |



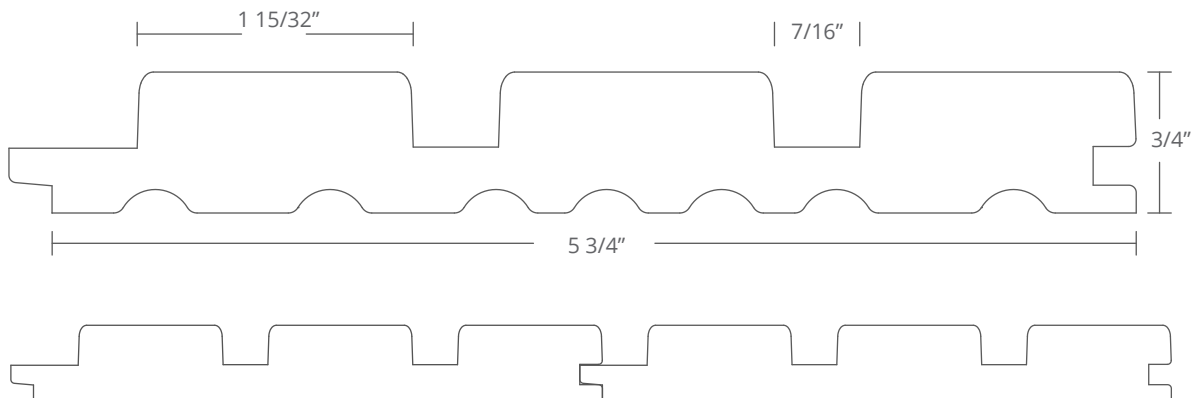
Wayne scottings

New



#1705

3/4" x 5 3/4"



Wayne scottings

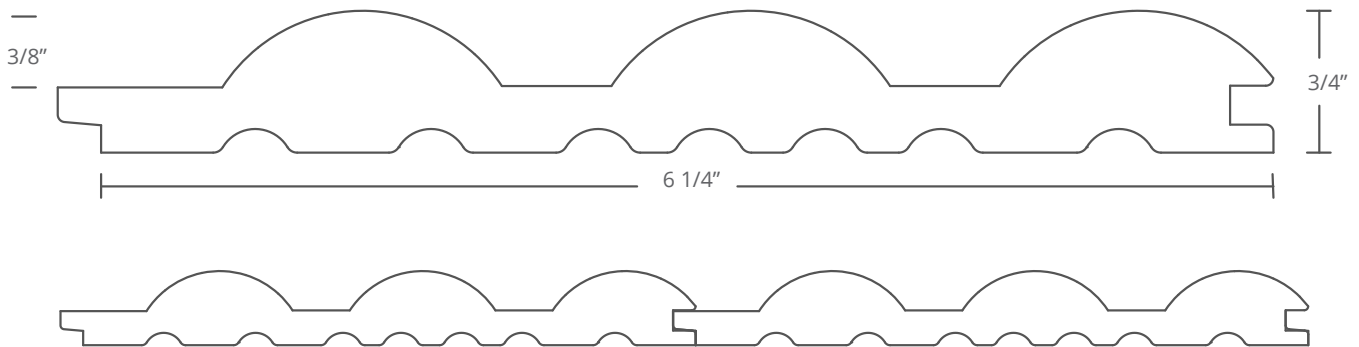


#1706

3/4" x 6 1/4"

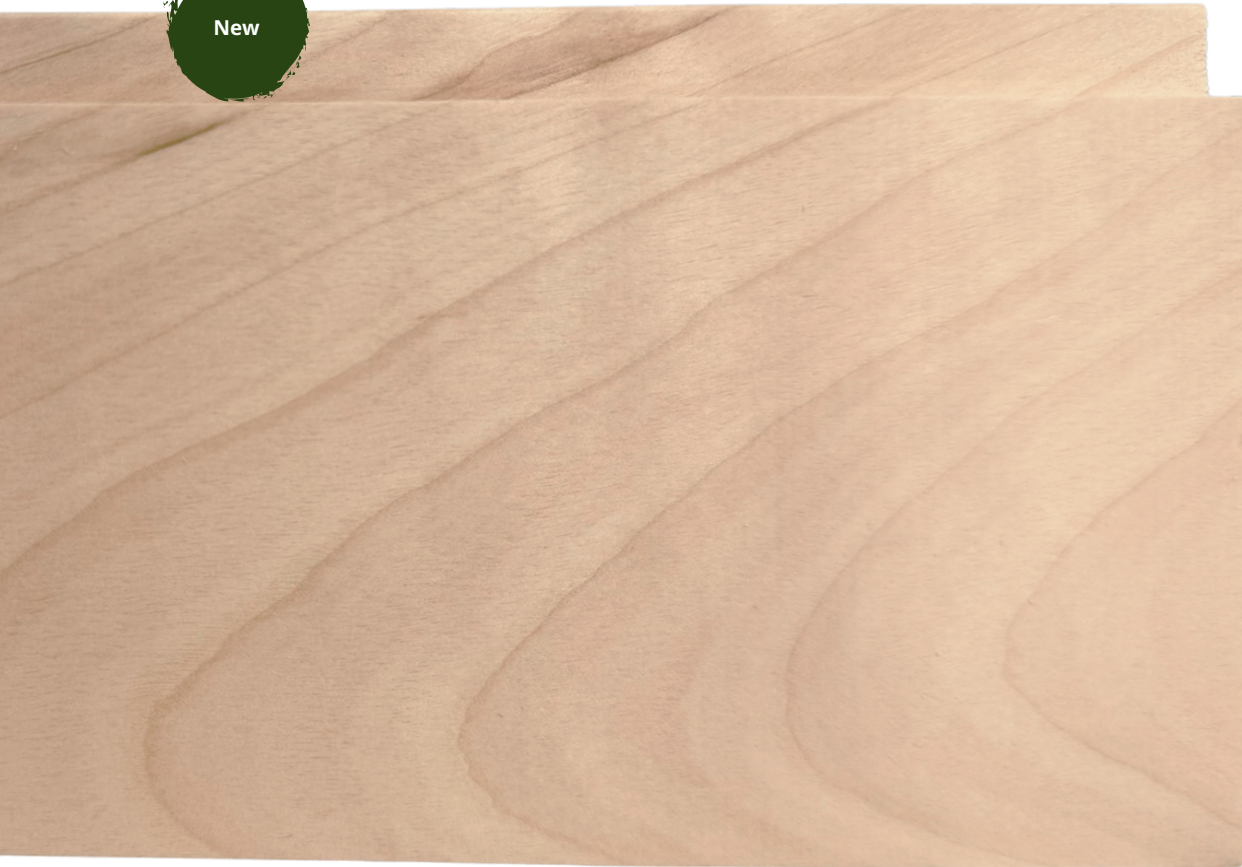
| 9 1/16" |

| 1 7/16" |



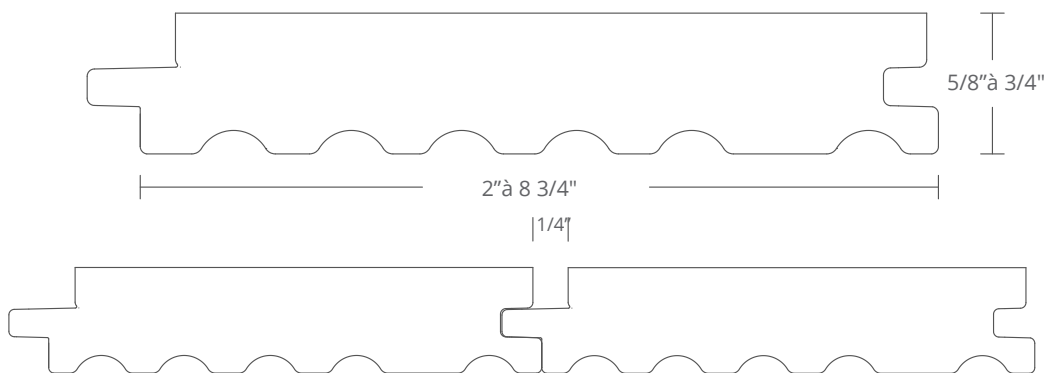
Wayne scottings

New



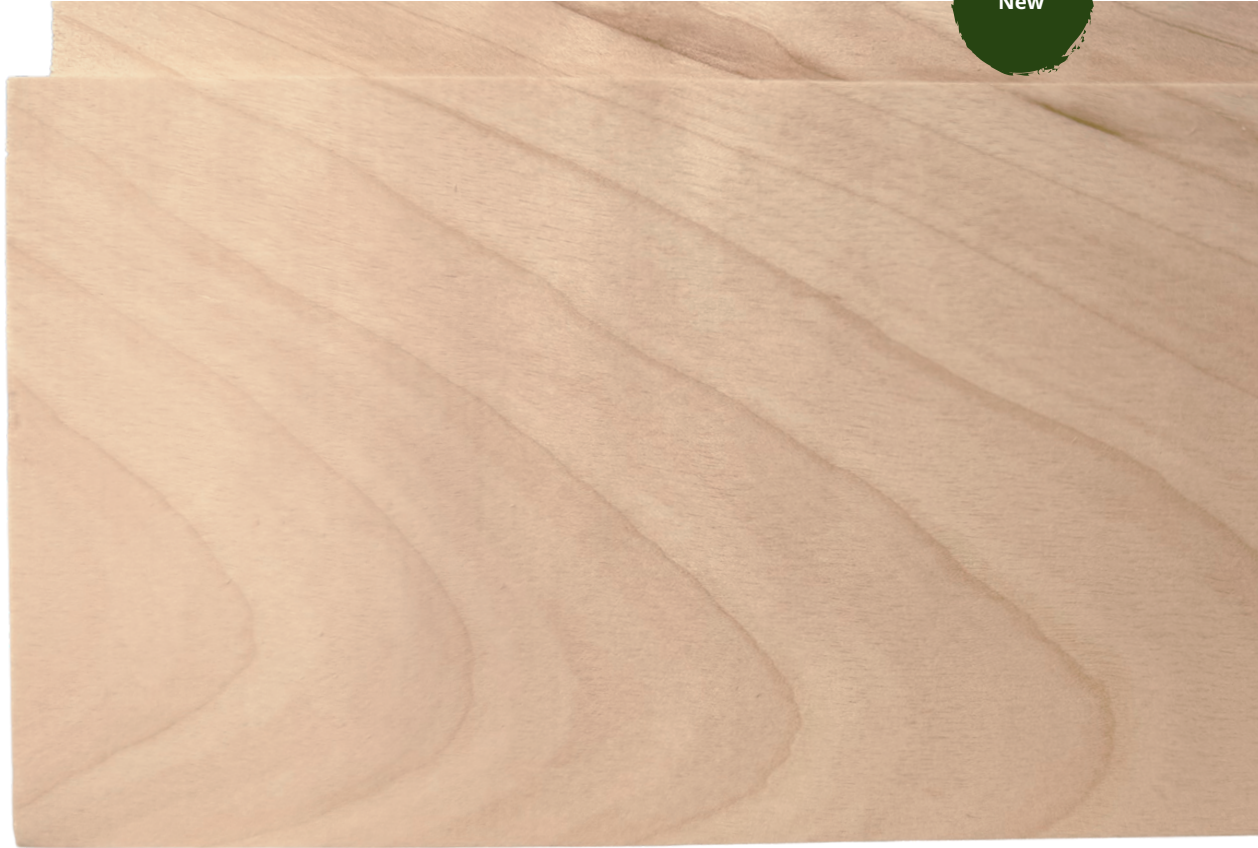
#301

Variable



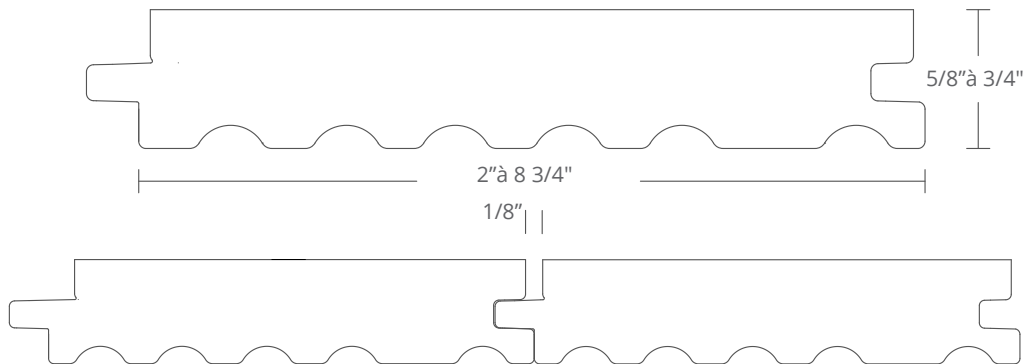
Wayne scottings

New



#302

Variable

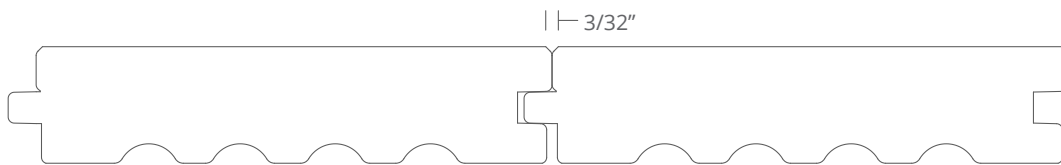
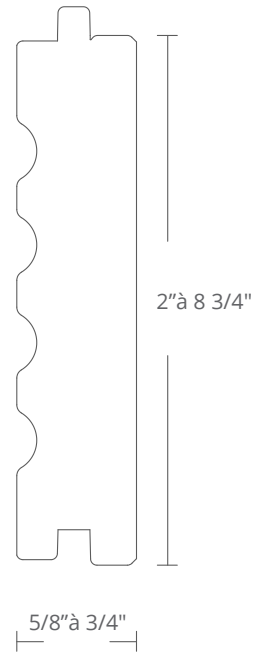


Wayne scottings



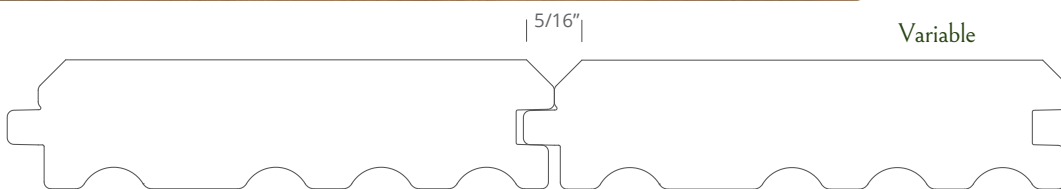
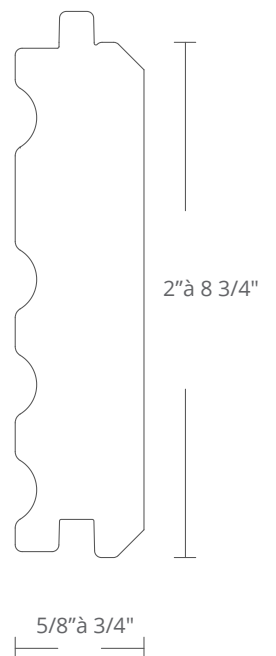
#303

Variable



#304

Variable



Wayne scottings



#1321
5/16" x 3 3/16"



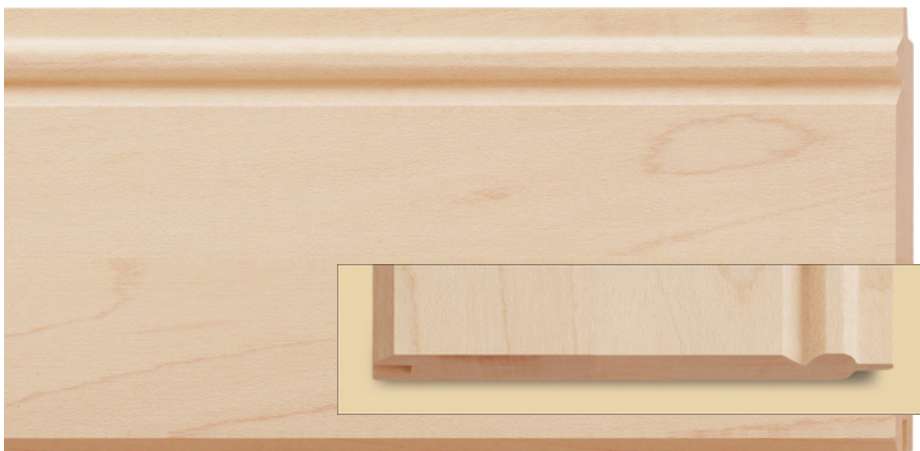
#PLMU250
5/16" x 3"



Wayne scottings



#PLMU248
5/16" x 2 1/4"



#PLMU360
5/16" x 2 1/4"



Wayne scottings



#PLMU249

$5/16" \times 3\frac{1}{4}"$



#PLMU344

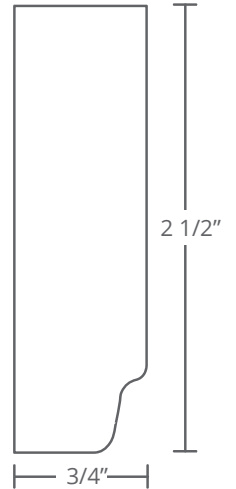
$5/16" \times 3\frac{1}{4}"$



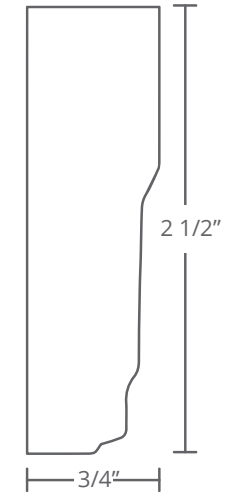
Light valance



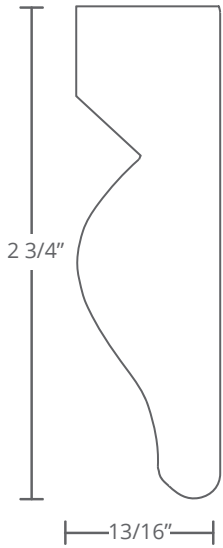
#109
3/4" x 2 1/2"



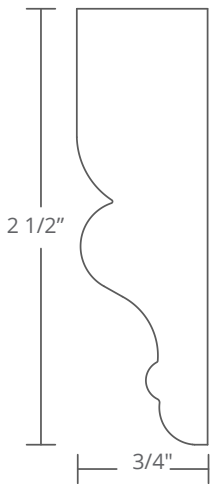
#040
3/4" x 2 1/2"



Light valance



#072
 $\frac{13}{16}$ " x $2\frac{7}{8}$ "



#062
 $\frac{3}{4}$ " x $2\frac{1}{2}$ "

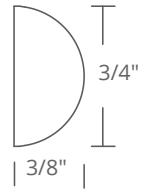


Deco moldings

New



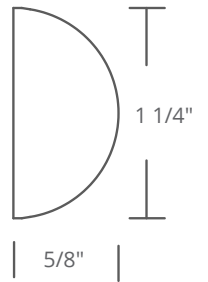
#584
3/8" x 3/4"



New



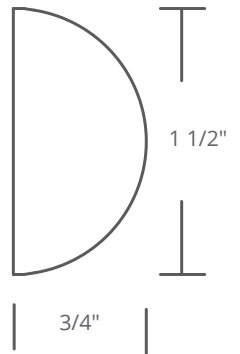
#546
5/8" x 1 1/4"



New



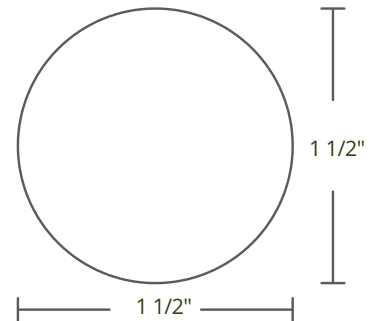
#1725
3/4" x 1 1/2"



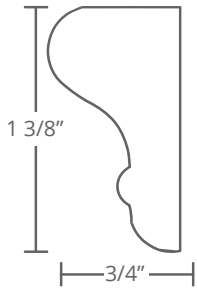
New



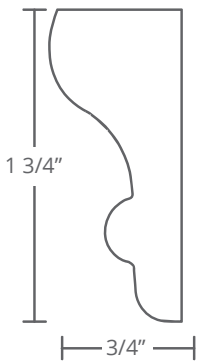
#1724
1 1/2"



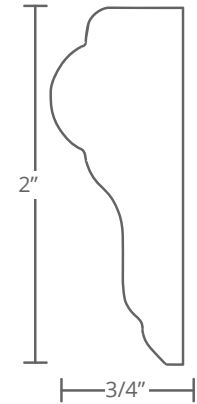
Deco moldings



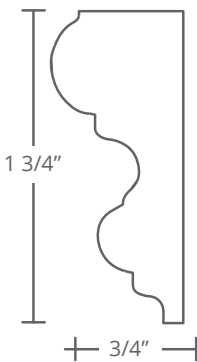
#060
3/4" x 1 3/8"



#056
3/4" x 1 3/4"



#059
3/4" x 2"



#046
3/4" x 1 3/4"

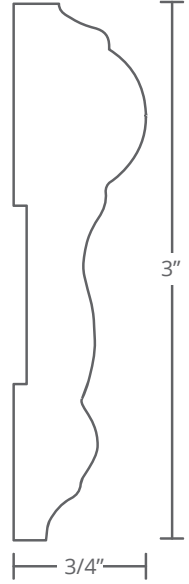


Deco moldings



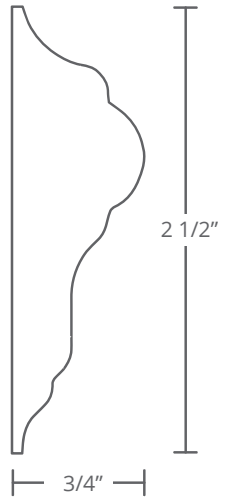
#057

3/4" x 3"



#042

3/4" x 2 1/2"



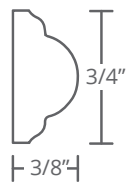
#114

5/16" x 3/4"

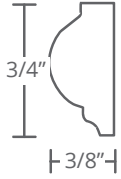


#151

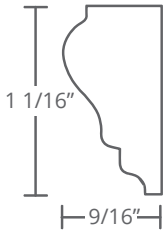
3/8" x 0.77"



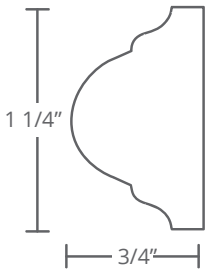
Deco moldings



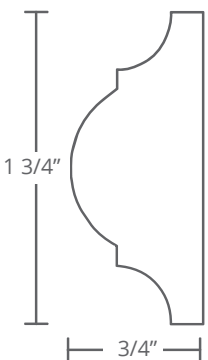
#044
3/8" x 3/4"



#058
9/16" x 1 1/16"



#067
3/4" x 1 1/4"



#574
3/4" x 1 3/4"



Deco moldings



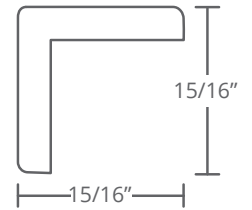
#107
5/16" x 1"



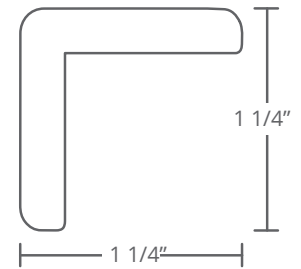
#107A
5/16" x 1"



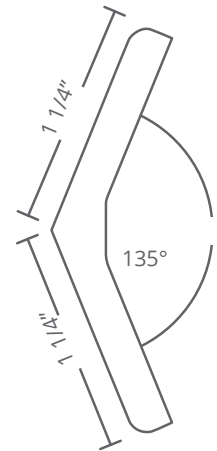
#179
3/4" x 1 1/4"



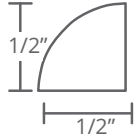
#462
3/4" x 1.664"



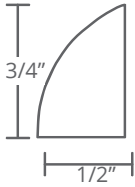
#326
0.782" x 2.522"



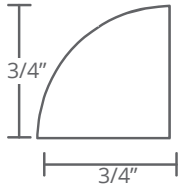
Deco moldings



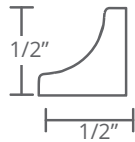
#QURO225
1/2" x 1/2"



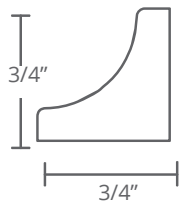
#QURO226
1/2" x 3/4"



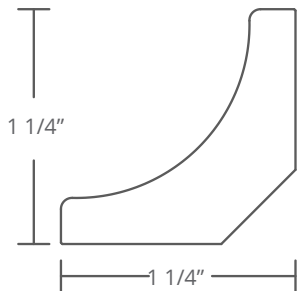
#QURO227
3/4" x 3/4"



#GO229
1/2" x 1/2"



#GO230
3/4" x 3/4"



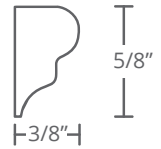
#GO215
3/4" x 1 3/4"



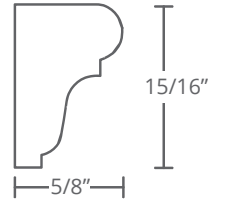
Deco moldings



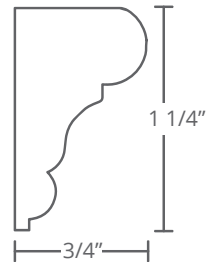
#211
3/8" x 5/8"



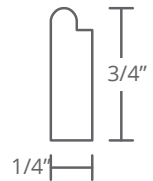
#319
5/8" x 15/16"



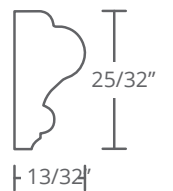
#320
3/4" x 1 1/4"



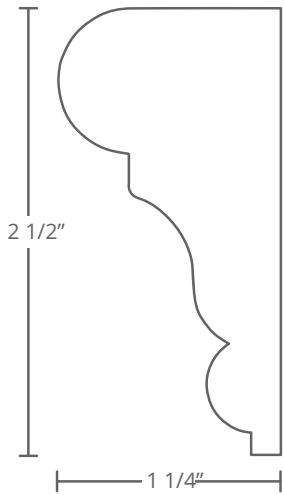
#390
1/4" x 3/4"



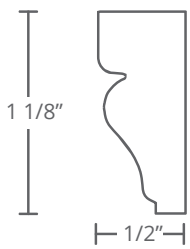
#619
0.410" x 0.78"



Deco moldings



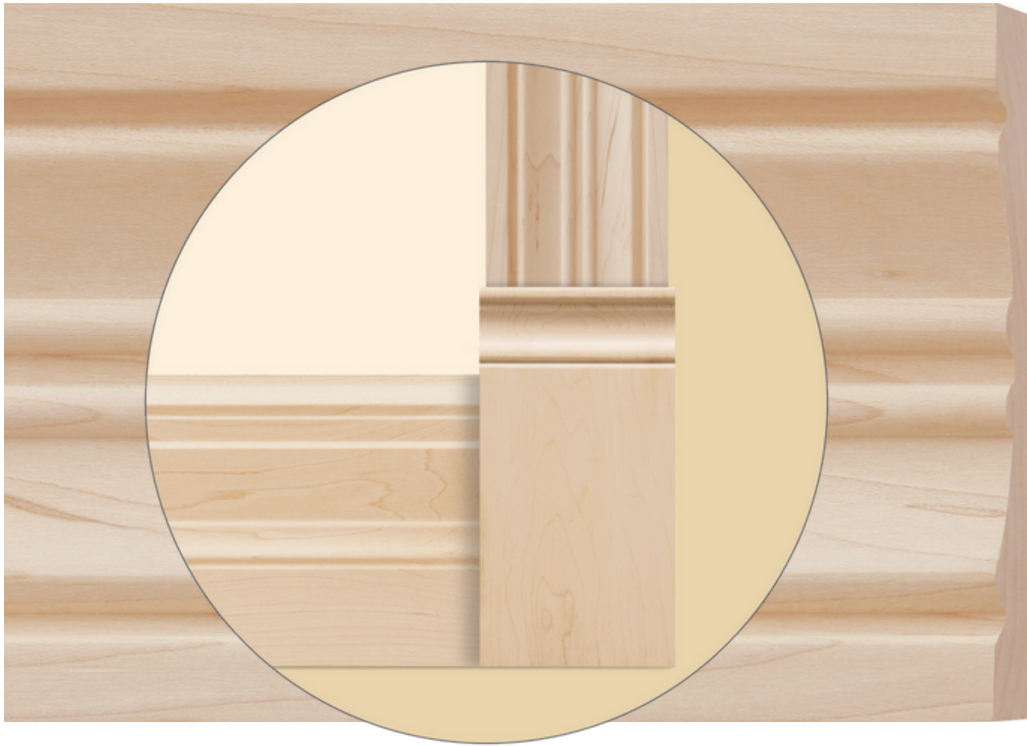
#309
1 1/4" x 2 1/2"



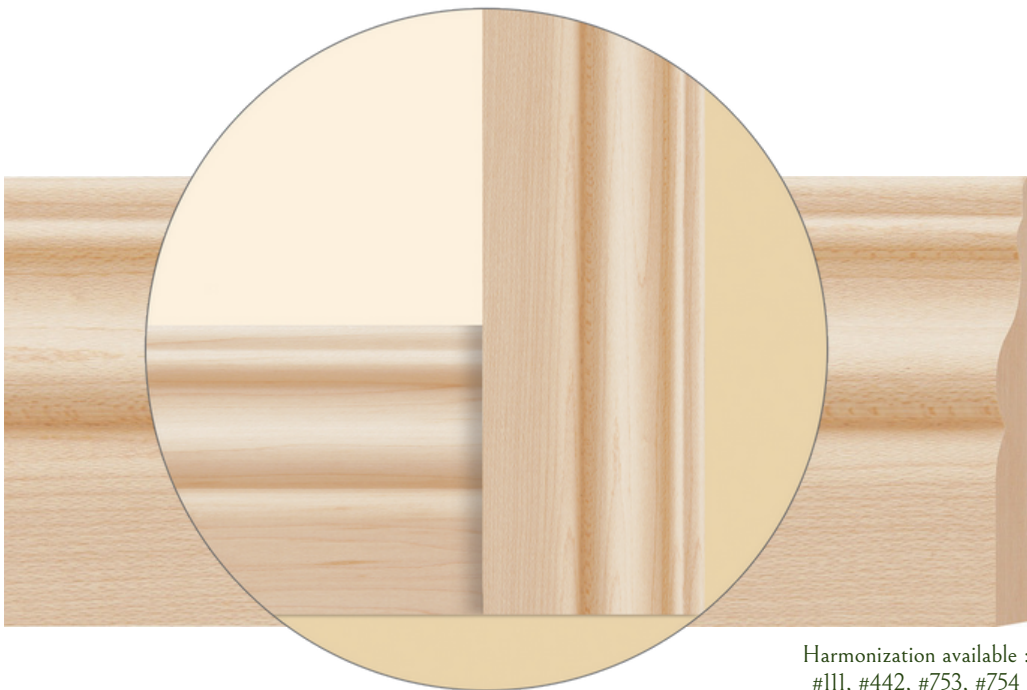
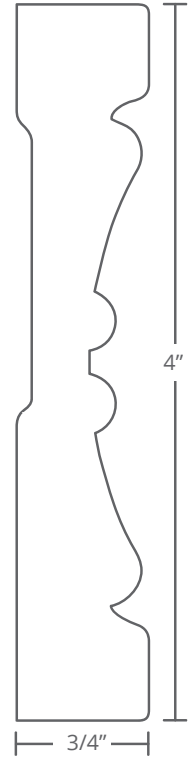
#048
1/2" x 1 1/8"



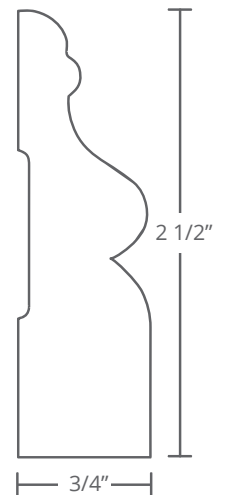
Base boards and casings



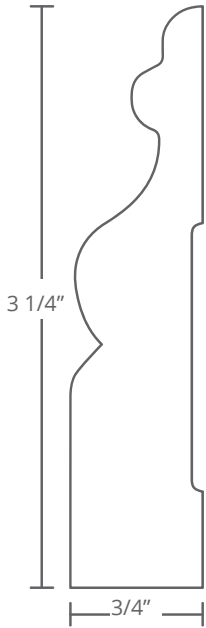
#285
3/4" x 4"



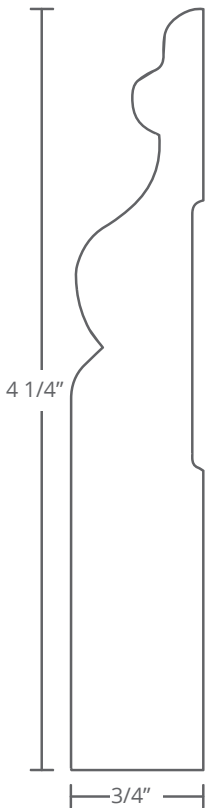
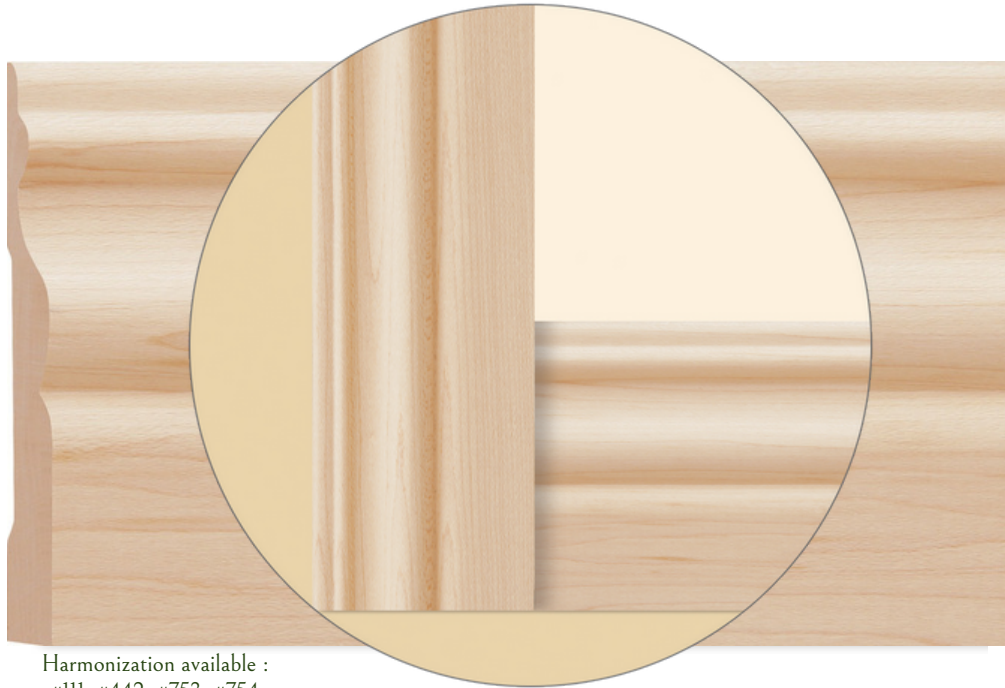
#011
Harmonization available : #111, #442, #753, #754
3/4" x 2 1/2"



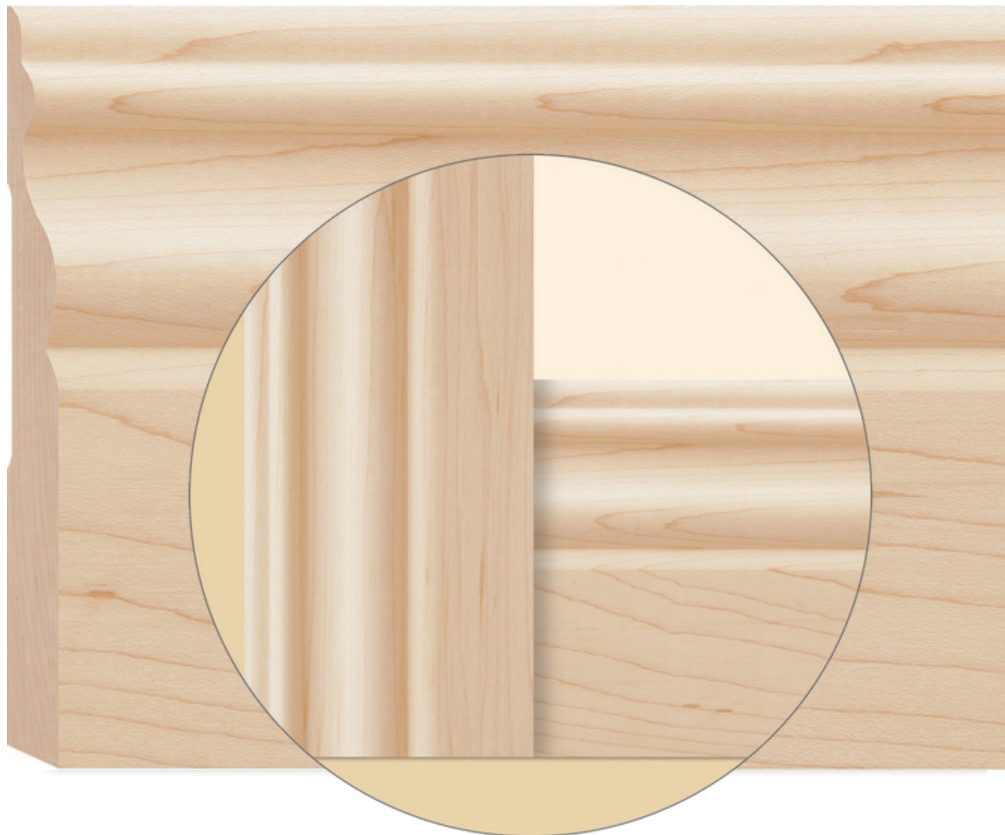
Base boards and casings



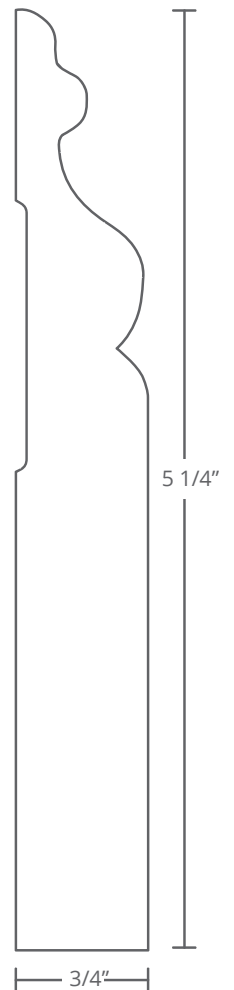
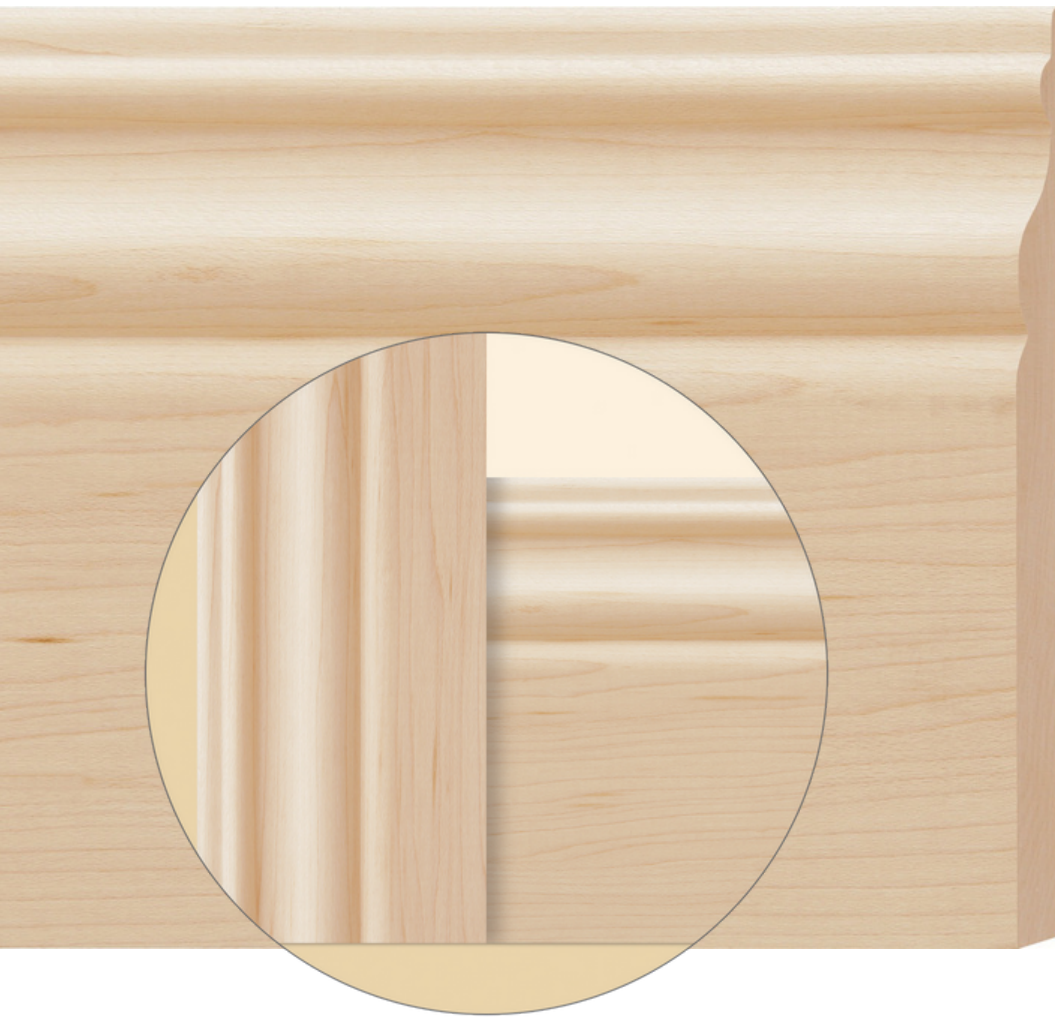
#012
3/4" x 3 1/4"



#013
3/4" x 4 1/4"

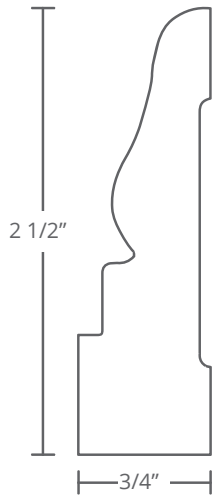


Base boards and casings



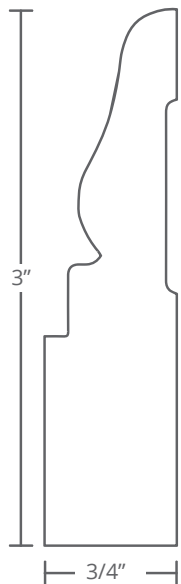
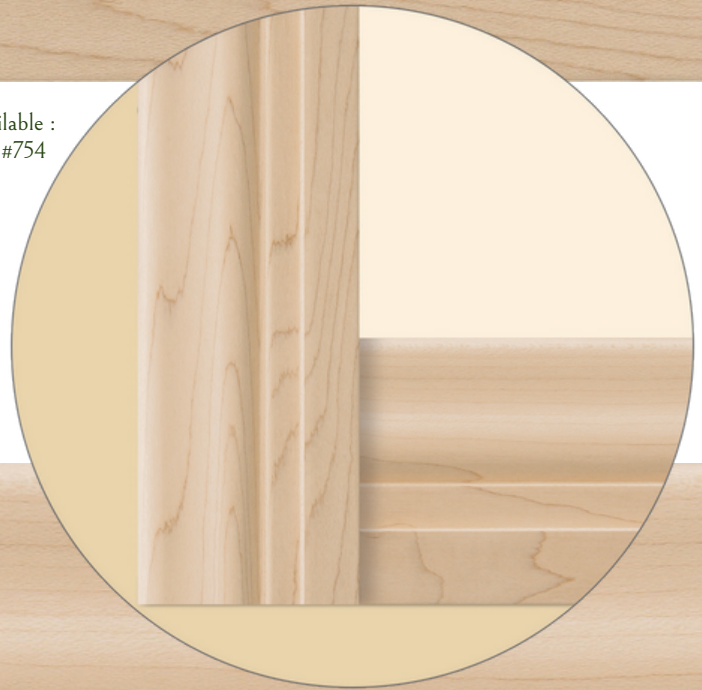
#014
3/4" x 5 1/4"

Base boards and casings



#016
3/4" x 2 1/2"

Harmonization available :
#111, #442, #753, #754

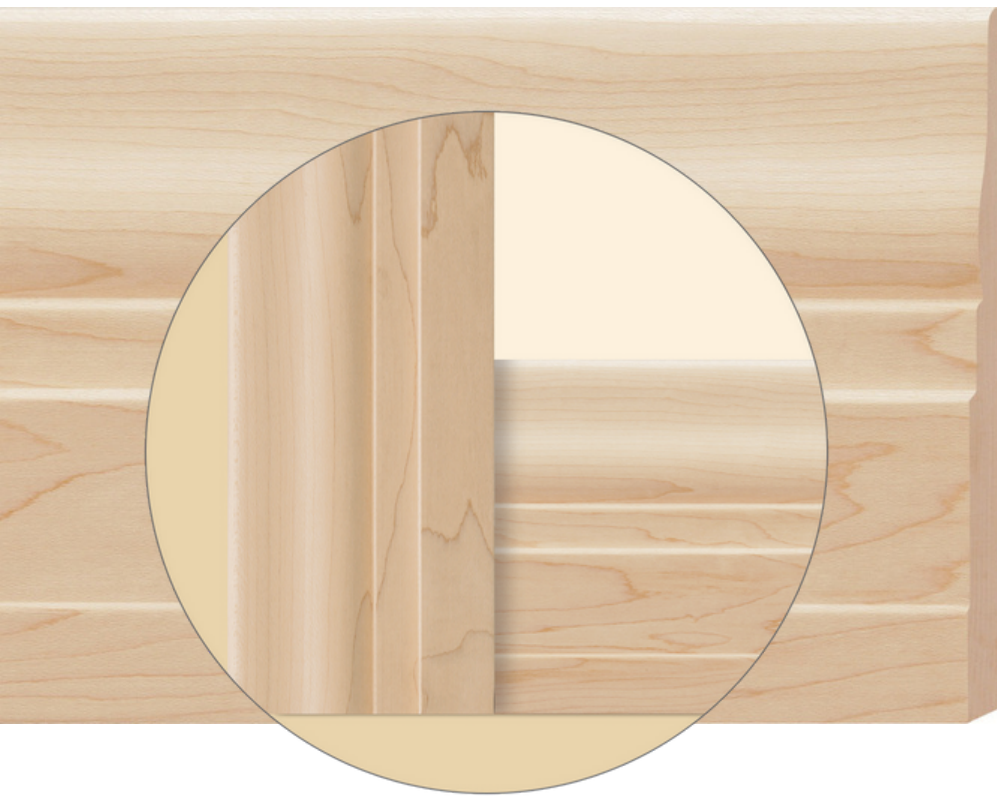


#017
3/4" x 3"

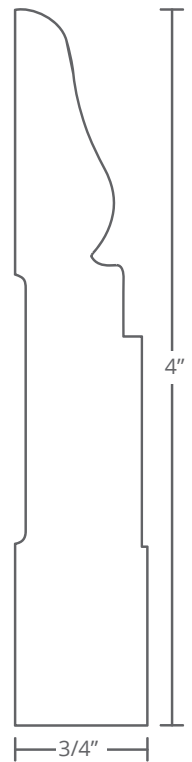
Harmonization available :
#111, #442, #753, #754



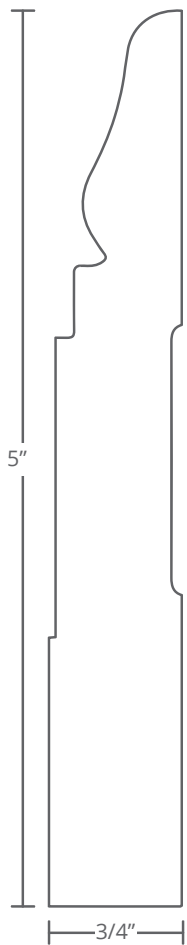
Base boards and casings



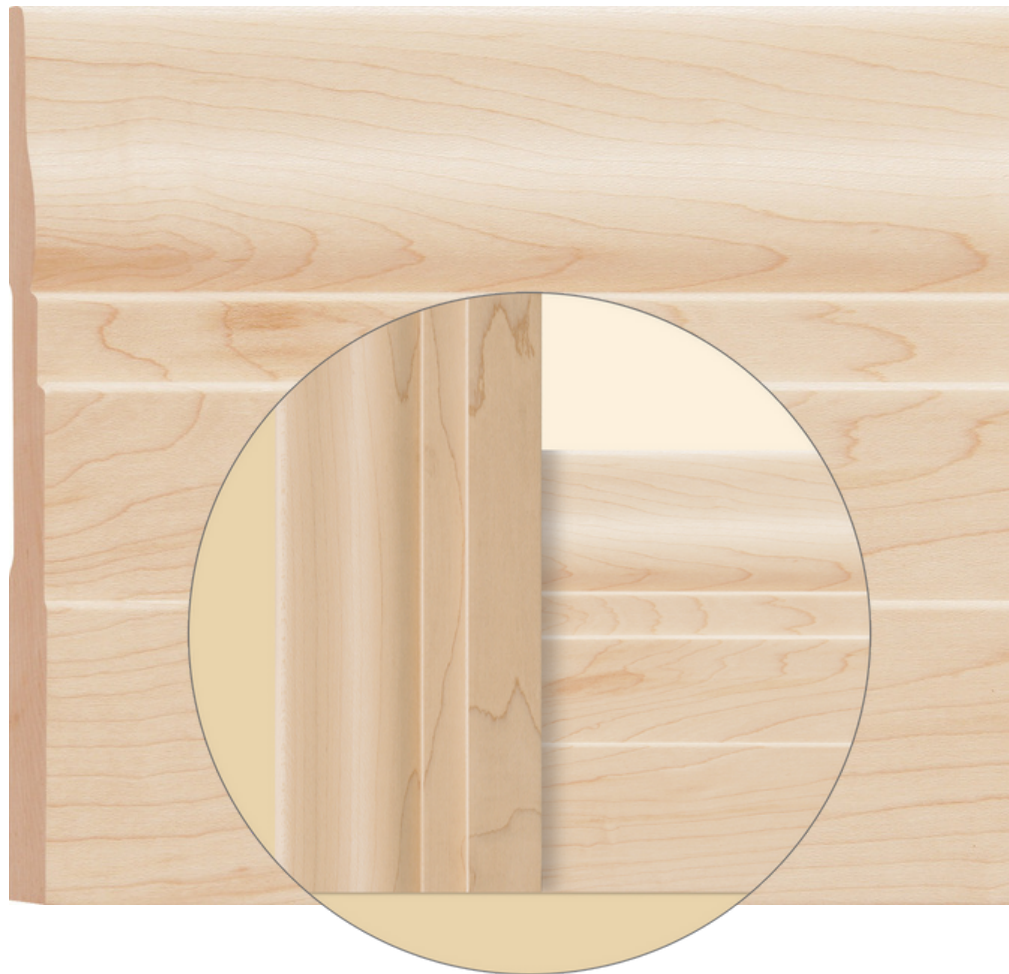
#018
3/4" x 4"



Base boards and casings



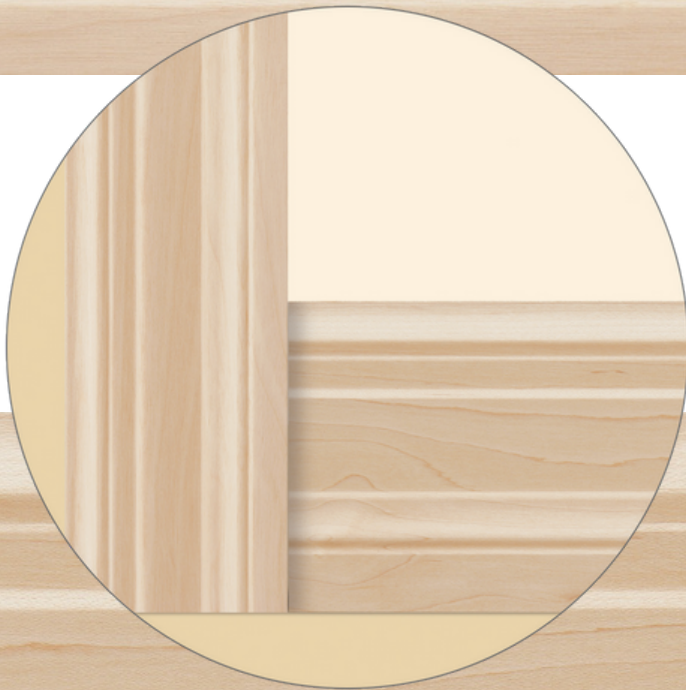
#019
3/4" x 5"



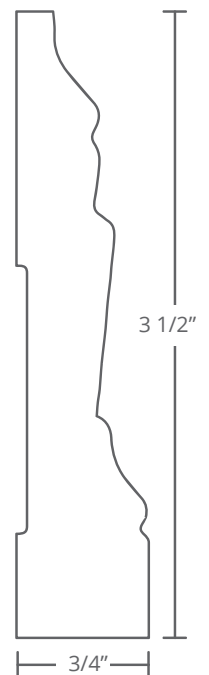
Base boards and casings



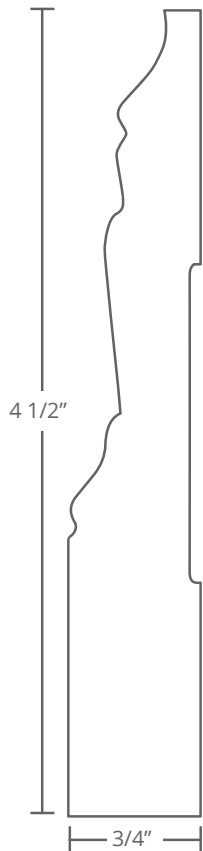
#025
3/4" x 2 1/2"



#026
3/4" x 3 1/2"



Base boards and casings



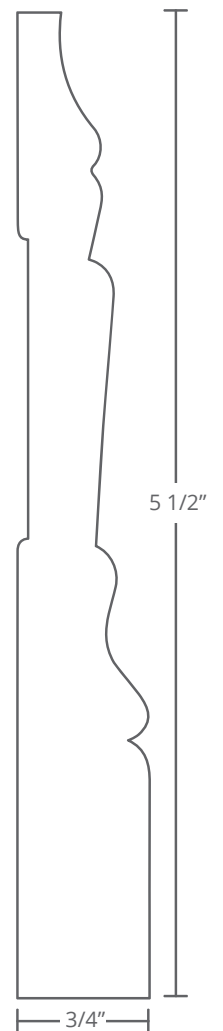
#027
3/4" x 4 1/2"

Harmonization available :
#111, #442, #753, #754

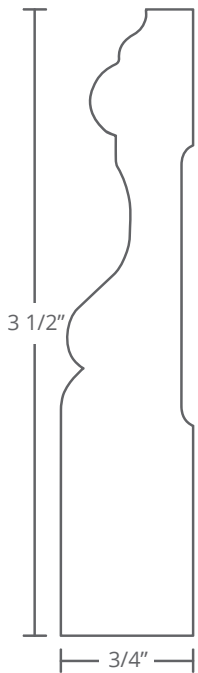
Base boards and casings



#028
3/4" x 5 1/2"



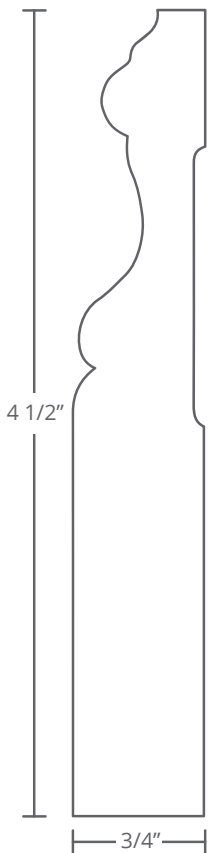
Base boards and casings



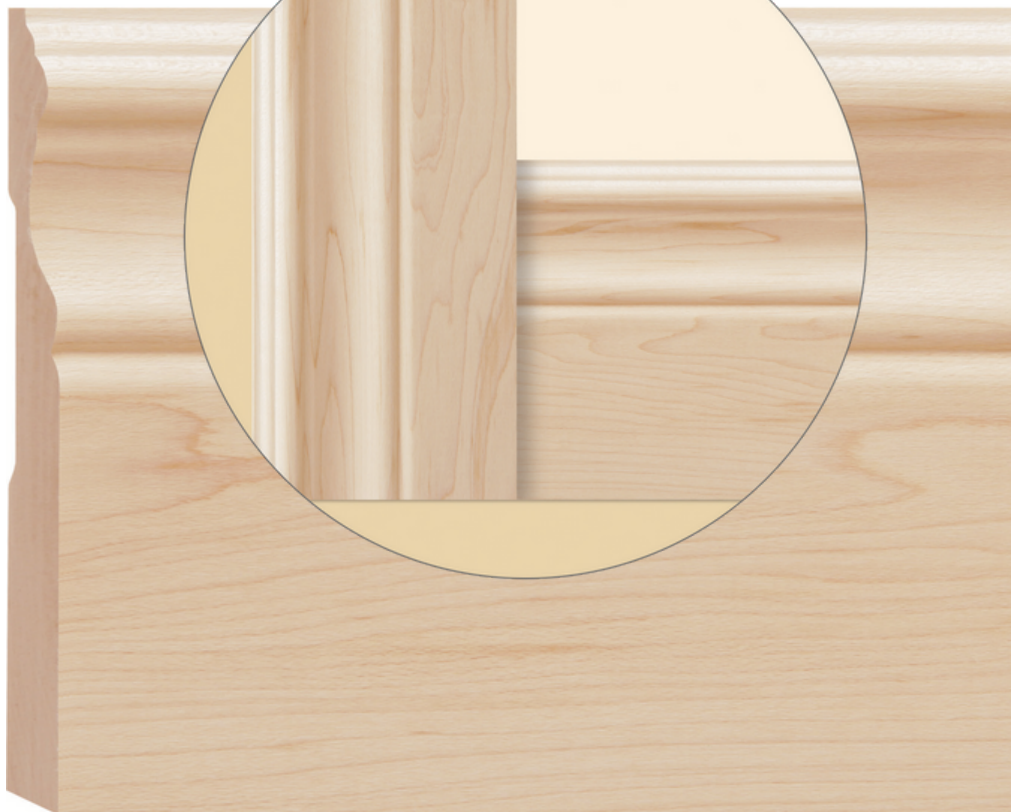
#133
3/4" x 3 1/2"



Harmonization available :
#111, #442, #753, #754

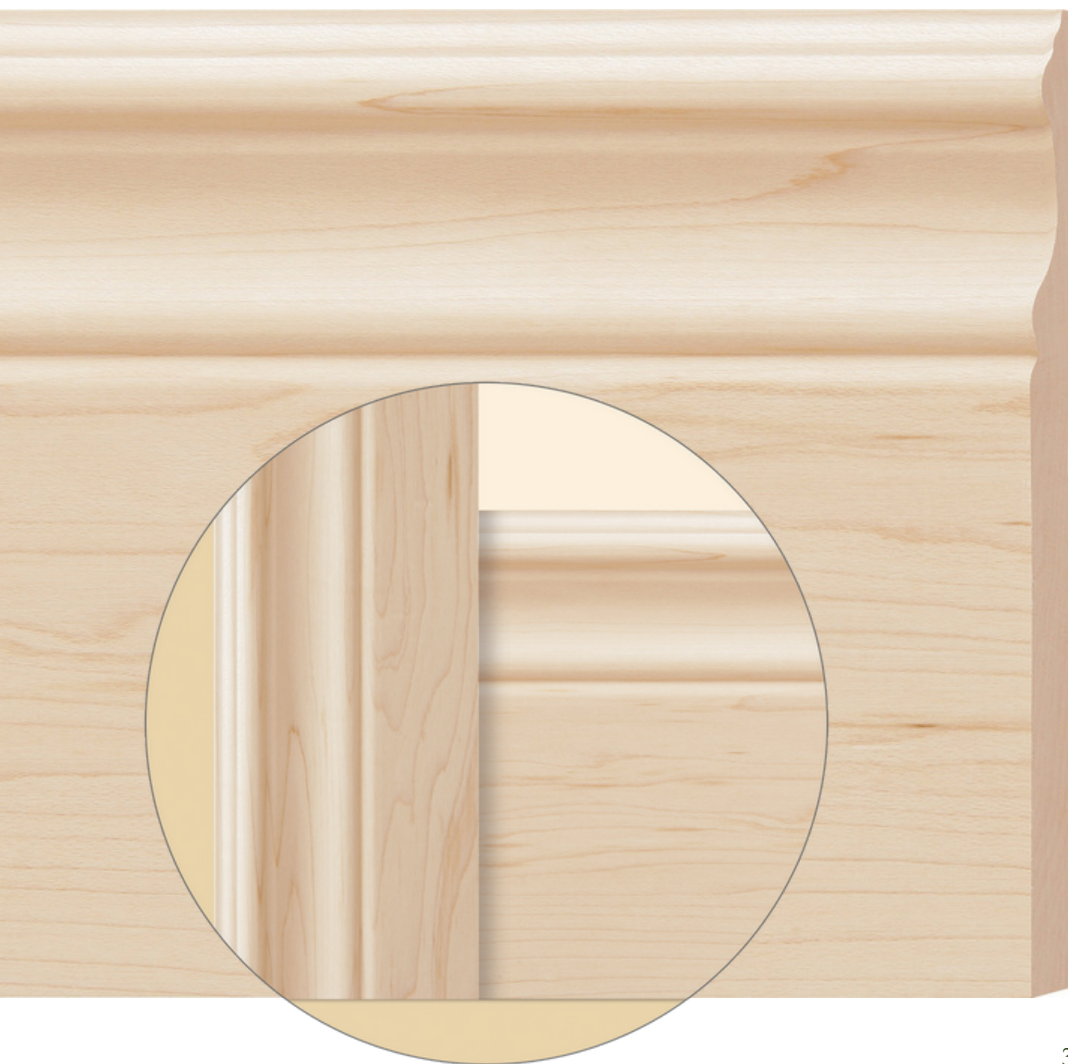


#134
3/4" x 4 1/2"

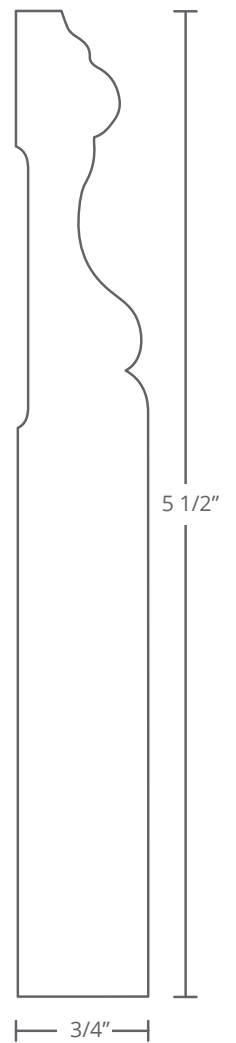


Harmonization available :
#111, #442, #753, #754

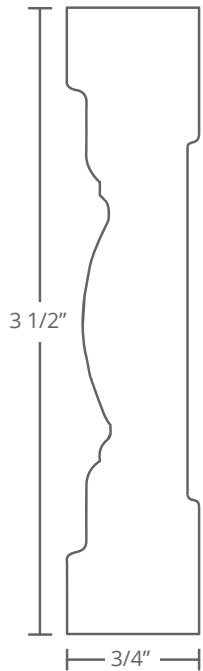
Base boards and casings



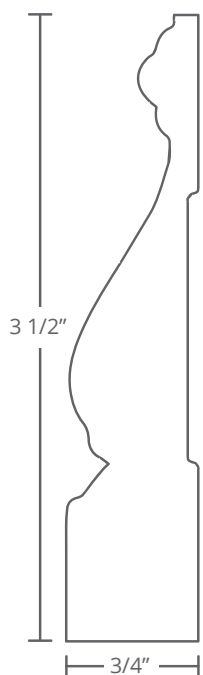
#135
3/4" x 5 1/2"



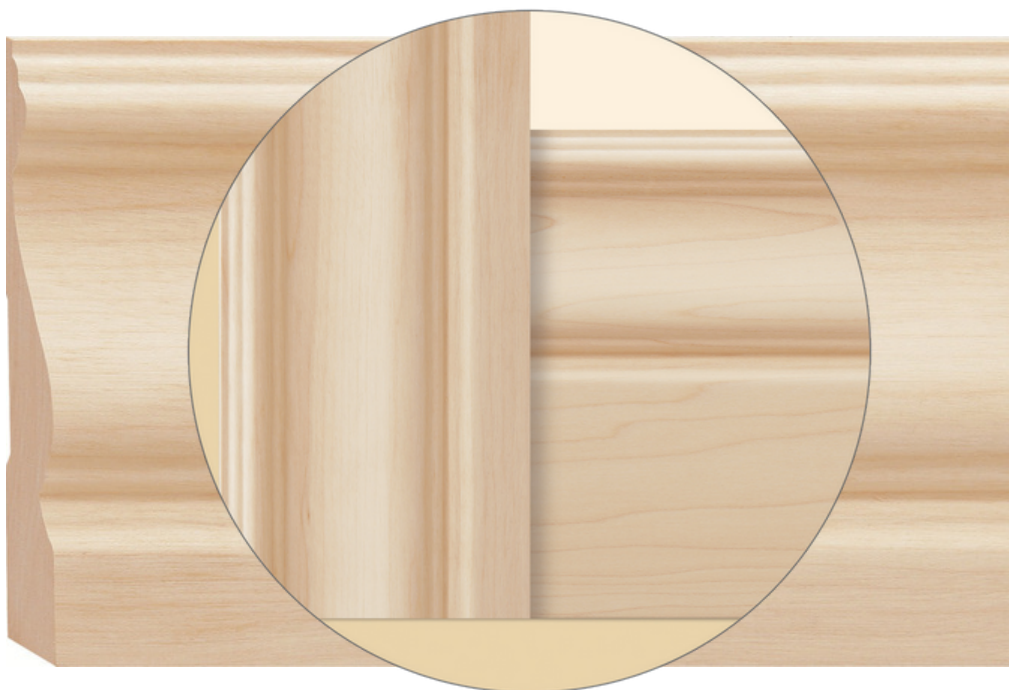
Base boards and casings



#082
3/4" x 3 1/2"



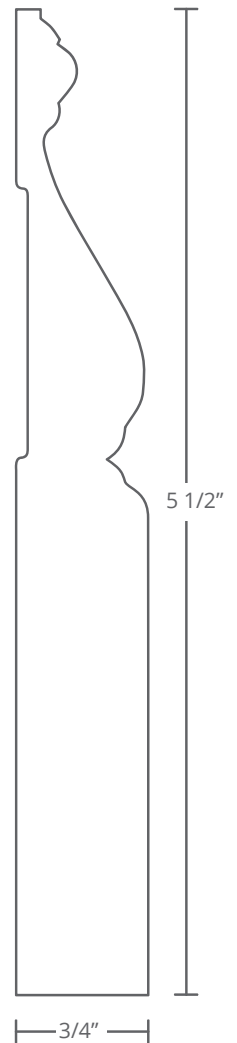
#120
3/4" x 3 1/2"



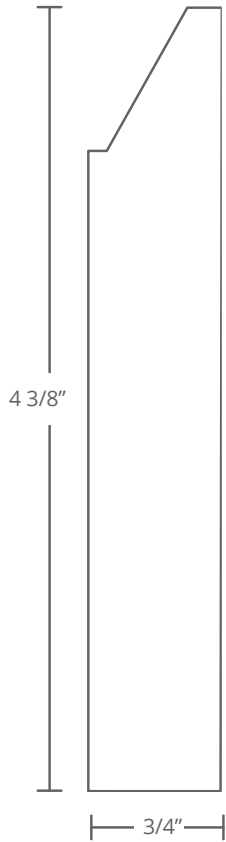
Base boards and casings



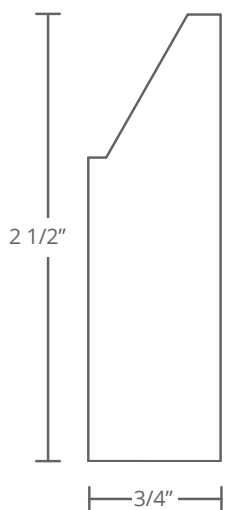
#152
3/4" x 5 1/2"



Base boards and casings



#1319
3/4" x 4 3/8"

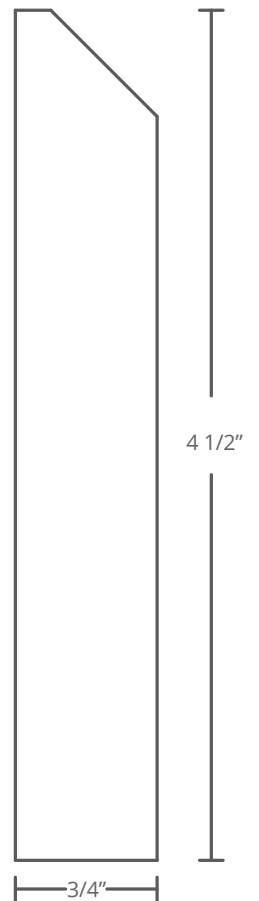


#1320
3/4" x 2 1/2"



Base boards and casings

New



#807
3/4" x 4 1/2"

STORY

In 1979, founder J.O. Noël Houle launched the family business, which at the time focused on the drying and sale of hardwood to cabinetmakers in the region. The quality of its products and service have enabled the company to carve out a place for itself as one of the leading suppliers of quality wood components in the Quebec region and in certain Canadian provinces.

Since the 2000s, the manufacture of mouldings, wood components, countertops and drawers has been at the heart of the company's development, enabling it to maintain an enviable position in the industry.

ENVIRONMENTAL PHILOSOPHY

At JONH, the environment and the preservation of resources are important issues. The choice of top-quality materials used in the manufacture of moldings and high-end kitchen cabinet components ensures that they will last longer. We strive to reduce over-consumption by offering products that stand the test of time. What's more, processing residues are recovered and transformed into animal absorption products and combustible materials.

MISSION

A job well done, the long-term sustainability of our products and respect for the materials we process are the foundations of our company. We like to enter into lasting partnerships with our suppliers and customers. The satisfaction and loyalty of our customers and partners are fundamental to our corporate strategy.

Our passion, our expertise, your satisfaction

4700, Sainte-Catherine
Sherbrooke (Quebec) J1N 0E7
819-864-6273
1-800-565-6273
Fax 819-864-7612
www.mouluresjonh.com

